

Visit ProMariner online at www.promariner.com, for a complete selection of quality marine products...

Here are just a few:

- ProMar1 DS Series - Recreational Grade Waterproof Marine Battery Chargers
- ProSport Series - Heavy Duty Recreational Grade Marine Battery Chargers
- ProTournament*elite* Series - Professional Grade Tournament Grade Marine Battery Chargers
- ProNauticP Series - Sailing and Cruising Marine Battery Chargers
- ProIsoCharge Series - Digitally Controlled Zero Loss Charging Isolators
- Digital Mobile Charge In-Transit Chargers
- ProSport 1.5 Amp Multi-Use Maintainer
- AC Plug Holders
- Battery Isolators
- Galvanic Isolators and Monitored Systems
- Corrosion Control Products
- Waterproof Marine Binoculars
- A Complete Line of Hand Held Test Meters
- Online Technical Support and Service Support

Visit frequently, we are always adding new products for your boating enjoyment!

ProMariner™

15 Dartmouth Drive, STE 101
 Auburn, New Hampshire 03032
 603-433-4440
 1-800-824-0524
www.promariner.com

Specifications subject to change without notice

Conforms to UL STD. 1236
 Certified to CSA STD. C22.2 No. 107.2
 FCC Class A

Design and Constructed to ABYC A-31 CEC Listed



01/19A

Made in China

ProMar¹

DIGITAL SERIES

On-Board Marine Battery Charger



Waterproof

Flooded Lead Acid & Gel Batteries

3 Year Warranty

Energy Saving



Owner's Manual and Installation Guide

Part No.	Model	Volts	Amps Per Battery	Total Amps	No. Bat	Cables	Size (H x W x D)	Weight	AC In
31504	ProMar1 DS 4 Amp (OEM)	12	4	4	1	6'	6.4" x 4.1" x 2.4"	4.0 lbs	110-120V AC 50/60 Hz
31505	ProMar1 DS 5 Amp	12	5	5	1	6'	6.4" x 4.1" x 2.4"	4.0 lbs	110-120V AC 50/60 Hz
31508	ProMar1 DS 8 Amp (OEM)	12/24	4/4	8	2	6'	9.2" x 5.7" x 2.4"	7.0 lbs	110-120V AC 50/60 Hz
31510	ProMar1 DS 10 Amp	12/24	5/5	10	2	6'	9.2" x 5.7" x 2.4"	7.0 lbs	110-120V AC 50/60 Hz
31512	ProMar1 DS 12 Amp (OEM)	12/24/36	4/4/4	12	3	6'	10.5" x 6.5" x 3.0"	11.0 lbs	110-120V AC 50/60 Hz
31515	ProMar1 DS 15 Amp	12/24/36	5/5/5	15	3	6'	10.5" x 6.5" x 3.0"	11.0 lbs	110-120V AC 50/60 Hz

IMPORTANT NOTICE

Please save and read all safety, operating and installation instructions before installing or applying AC power to your ProMariner ProMar1 DS On-Board Marine Battery Charger.

Your Satisfaction is Important to Us!

Do not return this product to retailer or dealer for any service or warranty requirements. Please call our Customer Care Department at 800-824-0524 from 8:30 am to 5pm Eastern Time for any warranty, service or installation assistance. Thank you - ProMariner Customer Care

For use with 12 volt flooded and Gel lead acid batteries. Not for 6 volt batteries. Not for 4D and 8D large capacity batteries.

Model Number: _____ Serial Number: _____ Date of Purchase: _____

Table of Contents

Introduction...	1
Important Safety Instructions...	2-7
General Overview...	8
General Operation...	9-10
Installation...	11-13
Typical Wiring...	14-20
Charging Your Batteries...	21
Maintenance...	22
Troubleshooting...	23
Warranty Information...	24

IMPORTANT NOTICE: FCC CLASS A PART 15 NOTIFICATION

ProMar1 DS On-Board Marine Chargers have been designed and tested to comply with FCC Class A part 15. If in a residential setting, you are encountering interference with TV and radio reception, simply remove AC power from the ProMar1 DS On-Board Marine Battery Charger to confirm if it is causing interference. End users can then explore the following to minimize interference:

- 1) Choose a different AC circuit to power your ProMar1 DS On-Board Marine Battery Charger.
- 2) Make sure your outlet is properly grounded.
- 3) Re-position receiving antenna.
- 4) Purchase a separate AC line filter.
- 5) Relocate the ProMar1 DS On-Board Marine Battery Charger so that it is at the furthest point from home receiving equipment, TV, radio, etc.



Introduction

Thank you for purchasing our newest generation ProMar1 DS On-Board Marine Battery Chargers with leading advancements in digital charging technology and waterproof design/construction. Our all digital charging platform incorporates the latest in embedded microprocessor and software control for precision 4-Stage Digital Charging of all 12 volt flooded lead acid and Gel batteries.

Designed to extend battery life. The ProMar1 DS automatically analyzes battery connections, charges, conditions and auto maintains each battery individually. When charging is completed, each output will enter into an auto maintain (Energy Saver) mode, safe for long and short term storage. ProMar1 DS will only turn on as needed to maintain fully charged batteries, lowering AC consumption and reducing operating cost.

Additional Features Include:

- All digital charging technology
- Rugged plastic molded housing
- Fully encapsulated and 100% waterproof to IP68
- Fully automatic 4-stage digital charging
- Dedicated battery charging, sensing and control per bank
- Expanded LED status indicators
- Wiring and battery fault detection
- Auto-maintain energy saver mode
- Shock resistant for all fresh and saltwater applications
- Pre-wired for easy installation
- For all 12 volt flooded lead acid and Gel batteries
- Built-in safety: reverse polarity, over-current, over-voltage, over-temperature and ignition protection. In-line DC safety fuses for maximum DC wire protection
- 3 year warranty

Important Safety Instructions

SAVE THESE INSTRUCTIONS

This manual contains important safety and operating instructions for the ProMar1 DS On-Board Marine Battery Charger Series.

⚠ CAUTION - To reduce the risk of injury, charge only 12V Flooded lead acid and Gel batteries. Other types of batteries may burst, causing personal injury.

EXTERNAL CONNECTIONS TO CHARGER SHALL COMPLY WITH THE UNITED STATES COAST GUARD ELECTRICAL REGULATIONS (33CFR183, SUB PART 1).

Before connecting your batteries or applying AC power, read all instructions and cautionary markings on the battery charger, cables, and batteries.

⚠ WARNING

To reduce the risk of injury to user or property, the user must read and understand the instruction manual and all warnings on the charger and batteries before use.

⚠ WARNING

1. **WARNING - RISK OF EXPLOSIVE GASES.**
 - a. **WORKING IN THE VICINITY OF A LEAD-ACID BATTERY IS DANGEROUS. BATTERIES GENERATE EXPLOSIVE GASES DURING NORMAL BATTERY OPERATION. FOR THIS REASON, IT IS OF UTMOST IMPORTANCE THAT YOU FOLLOW THE INSTRUCTIONS EACH TIME YOU USE THE CHARGER.**
 - b. To reduce the risk of battery explosion, follow these instructions and those marked on the battery.
2. Use the charger for charging a LEAD-ACID battery only. It is not intended to supply power to an extra-low-voltage electrical system or to charge dry-cell batteries. Charging dry-cell batteries may burst and cause injury to persons and property.
3. Use of an attachment not recommended or sold by ProMariner may result in a risk of fire, electric shock, or injury to persons.
4. To reduce risk of damage to electric plug and cord, pull by plug rather than cord when disconnecting the charger.

Important Safety Instructions

5. Extension cords:
 - a. Pins on the plug of the extension cord are the same number, size and shape as those on the plug of the charger.
 - b. Use only a properly wired extension cord in good electrical condition.
 - c. Use an industrial grade / heavy duty UL or CSA approved and grounded extension cord. Check the extension cord before use for damage, bent prongs, and cuts. Replace if damaged. Always make your extension cord connection on the charger side first. **After connecting the extension cord to the charger, proceed to plug the extension cord into a nearby 120 VAC GFCI protected (Ground Fault Circuit Interrupt) outlet.** Below are the manufacturer recommendations for the right size UL or CSA Approved grounded extension cord.

ProMar1 DS 4, 5, 4/4, 5/5, 4/4/4 and 5/5/5:

 - i. Up to 50 feet in length; use a 3 conductor 18 AWG extension cord.
 - ii. 50 to 100 feet in length; use a 3 conductor 16 AWG extension cord.
 - iii. 100 to 150 feet in length; use a 3 conductor 14 AWG extension cord.
6. Do not operate the charger if any protective AC or DC cable insulation, DC fuse holders or ring terminals have been damaged or compromised. Contact ProMariner immediately to return the charger for service and repair.
7. Do not operate the charger if it has received a sharp blow, direct hit of force, been dropped or otherwise damaged in any way. Contact ProMariner immediately to return the charger for service and repair.
8. Do not disassemble charger. Incorrect reassembly may result in a risk of electric shock or fire. If service or repair is required, please call ProMariner customer service at 800-824-0524 between 8:30am-5pm (EST) Monday through Friday, or via www.promariner.com. Unauthorized attempts to service, repair or modify may result in a risk of electrical shock, fire or explosion and will void warranty.
9. To reduce risk of electric shock, unplug charger from outlet before attempting any maintenance or cleaning.
10. Do not expose AC power cord connection to rain or snow.

Important Safety Instructions

11. GROUNDING AND AC POWER CORD CONNECTION INSTRUCTIONS

- a. The charger should be grounded to reduce risk of electric shock. The charger is equipped with an electric cord with an equipment-grounding conductor and a grounding plug. The plug must be plugged into a **120 VAC GFCI protected (Ground Fault Circuit Interrupt) outlet** that is properly installed and grounded in accordance with all local codes and ordinances.

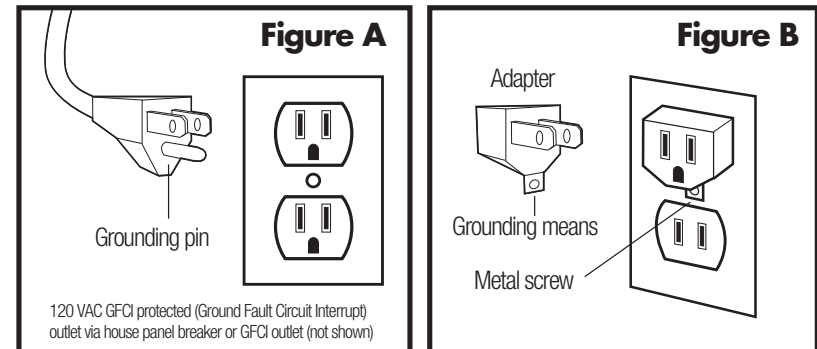
⚠ DANGER

Never alter an AC cord or plug provided - If it does not fit the outlet, have a proper outlet installed by a qualified electrician. Improper connection can result in a risk of an electric shock.

- b. This battery charger is for use on a nominal 120-volt circuit, and has a grounding plug that looks like the plug illustrated in figure A. A temporary adapter, which looks like the adapter illustrated in figure B may be used to connect this plug to a two-pole receptacle as shown in figure B if a properly grounded outlet is not available. **The temporary adapter should be used only until a properly grounded GFCI protected outlet can be installed by a qualified electrician.**

⚠ DANGER

Before using an adapter as illustrated, be certain that the center screw of outlet plate is grounded. The green-colored rigid ear or leg extending from adapter must be connected to a properly grounded outlet - make certain it is grounded. If necessary, replace original outlet cover plate screw with a longer screw that will secure adapter ear or lug to outlet cover plate and make ground connection to grounded GFCI protected outlet.



Use of an adapter is not allowed in Canada. If a grounding type receptacle is not available, do not use this appliance until the proper GFCI protected outlet is installed by a qualified electrician.

Important Safety Instructions

12. PERSONAL PRECAUTIONS

CAUTION

- a. Consider having someone close enough or within the range of your voice to come to your aid when you work near a lead-acid battery.
- b. Have plenty of soap, water and baking soda nearby in case battery acid comes in contact with skin, clothes or eyes.
- c. Wear complete eye protection, hand and clothing protection. Avoid touching eyes while working near a battery.
- d. If battery acid contacts skin or clothing, wash immediately with soap and water. If acid enters your eye, immediately flood the eye with running cold water for at least 15 minutes and get medical attention immediately.
If electrolyte is taken internally, drink large quantities of water or milk. DO NOT induce vomiting. Get prompt medical attention.
- e. NEVER smoke, strike a match or cause a spark or flame in vicinity of battery or engine.
- f. Be extra cautious to reduce risk of dropping a metal tool onto the battery. It might spark or short-circuit a battery or other electrical hardware which may cause an explosion or fire.
- g. Remove all personal metal items such as rings, bracelets, necklaces, watches, and jewelry when working near a battery. A battery can produce a short circuit current high enough to weld a ring or any other metal, causing serious burns.
- h. Use charger for charging a LEAD-ACID battery only. It is not intended to supply power to a low voltage electrical system other than in a start-motor application. Do not use battery charger for charging dry-cell batteries that are commonly used with home appliances. These batteries may burst and cause injury to persons and damage to property.
- i. NEVER charge a frozen, damaged or leaking battery.
- j. Keep other persons, children and pets away from batteries and your charger during operation to avoid serious injury, death, fire or explosion.

DANGER: RISK OF ELECTRIC SHOCK

Do not touch uninsulated portion of output connector or uninsulated battery terminal if 3 or more batteries are connected in series.

Important Safety Instructions

13. PREPARING TO CHARGE A BATTERY

CAUTION

- a. If necessary to remove a battery from a boat to charge, **always remove the grounded negative terminal from the battery first.** Make sure all accessories in the boat are off, as to not cause an arc.
- b. Be sure the area around the charger and batteries is well ventilated while the battery is being charged.
- c. Neutralize with baking soda any electrolyte that spills on a vehicle or in the work area. After neutralizing, rinse contaminated area clean with water.
- d. Clean battery terminals. Be careful to keep corrosion from coming in contact with eyes.
- e. For flooded batteries with removable caps, ONLY ADD DISTILLED WATER in each cell until electrolyte reaches levels specified by the battery manufacturer. Do not over fill. For a maintenance free battery without removable caps, such as valve regulated lead acid batteries, carefully follow manufacturer's recharging instructions.
- f. Study all battery manufacturers' specific precautions, warnings and instructions while charging and recommended rates of charge. Never charge a battery with missing safety vent caps.
- g. Do not overcharge batteries or try to charge non 12 volt flooded lead acid or non 12 volt Gel batteries.

Charger Location & DC Connection

14. CHARGER LOCATION

CAUTION

- a. Locate the charger as far away from the batteries as possible.
- b. Never place a charger directly above a battery being charged; gases or fluids from the battery will corrode and damage the charger.
- c. Do not operate charger in an enclosed area or in an area with restricted ventilation in any way.
- d. Never allow battery acid to drip on the charger when reading electrolyte specific gravity or filling a battery.
- e. Do not set a battery on top of charger.
- f. Do not install on or over combustible surfaces.

15. DC CONNECTION PRECAUTIONS

CAUTION

- a. Connect and disconnect DC output cables only after removing AC cord from electric outlet. Never allow cables to touch each other.

General Overview

The ProMar1 DS Battery Charger is a fully automatic digitally controlled on-board marine battery charger. The unit is prewired for easy installation and is 100% waterproof for fresh and salt water applications.

The ProMar1 DS charger incorporates a durable one piece plastic housing. The unit offers fully automatic charging which includes an Auto Maintain (Energy Saving) mode that is safe for long and short term storage. The charger can be left on indefinitely without harming or overcharging your batteries.

Easy to view LED indicators will provide you with AC Power on and Charging status. In addition the ProMar1 DS now incorporates individual battery and wiring fault detection LED's allowing for quicker troubleshooting of common wiring and identification of end of life battery conditions.

The ProMar1 DS Battery Charger is available in 3 core models with 5, 10 or 15 amp outputs and can be used in 12, 24 and 36 volt systems (model specific). Additional OEM models include 4, 8 and 12 amp models.

Prewired for easy installation, simply attach the DC output cable terminals as illustrated in the installation section of this manual.

Understanding Battery Types

There are three primary types of batteries: flooded (lead-acid), AGM (Absorbed Glass Mat) and Gel cell (Gelled electrolyte lead-acid). Traditionally, the most common type of batteries used are flooded (lead-acid batteries).

Almost all Gel Cell Batteries will state that they are Gel Cell on the battery case or labels.

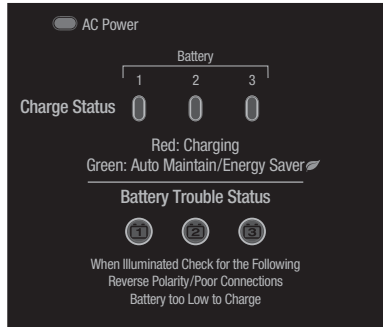
NOTE: AGM (Absorbed Glass Mat) batteries are not Gel (Gelled electrolyte lead-acid) batteries. AGM batteries are charged with a completely different charge profile when compared to Gel batteries.

For use with flooded (lead-acid) or Gel batteries. Not for use with AGM (Absorbed Glass Mat) or 4D or 8D large capacity batteries.

***If you are unsure as to what kind of battery you have, we recommend that you contact the manufacturer of the battery.

General Operation

The ProMar1 DS Series includes 1 blue AC Power LED with 2 LEDs per battery bank with the following functions:



Blue AC Power LED: LED Illuminates blue when the charger is connected to AC power.

The following Charge Mode LEDs are for each individual battery connected and will sequentially illuminate as follows:

Charge Status LED: The Charge Status LED will illuminate red after AC power is applied, indicating the charger is in process of analyzing the wiring connections, polarity and that the battery connected is > 4 VDC and is capable of accepting a charge. While the LED is red, the ProMar1 DS will be in its Charge mode followed by the Conditioning mode. When completed:

The Charge Status LED will illuminate green indicating the charger is in the Auto Maintain (Energy Saver) mode. During this mode the batteries are fully charged and are being monitored to automatically maintain batteries in a fully charged state. The charger outputs will turn on and off as needed.

Red Fault LED: The red Fault LED will illuminate solid ON if there is a loose wiring connection, reverse polarity, DC over-voltage or extremely low DC voltage < 4 VDC condition that is present. For batteries < 4 VDC the battery should be removed and taken to your local battery dealer for testing prior to trying to charge the battery again. See page 23 for further troubleshooting details.

Fully Automatic Multi-Stage Digital Charging Overview

The ProMar1 DS Series is designed for use with 12 volt flooded lead acid or Gel batteries.

Battery Types	Charge Profile
All 12 volt flooded (sealed maintenance free or with vent caps) lead acid or Gel batteries.	14.1 VDC Absorption (Conditioning) and up to 13.5 VDC Float (Auto Maintain Energy Saver mode).

Note: If you are still unsure what kind of battery(s) you have, we recommend that you contact the manufacturer of the battery(s).

After completing the installation of your new ProMar1 DS On-Board Charger successfully with no wiring or connection errors, and the battery(s) connected are greater than 4 VDC, the ProMar1 DS will sequentially perform the following 4-Stage Digital Charging Process.

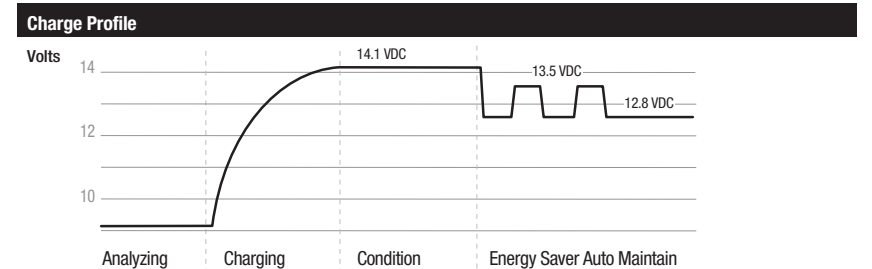
ProMar1 DS's 4-Stage Digital Charging algorithm is fully automatic and designed to extend battery life.

Stage 1 - Analyze Mode: AC Power is applied. ProMar1 DS's red Charging LED will light indicating it is analyzing individual wiring connections for proper connection/polarity and that each battery is over 4.0 VDC and capable of accepting a precharge. When completed, any errors will trip a battery specific red fault LED, or if no faults are present the red Charge LED will remain solid red.

Stage 2 & 3 - Charge / Conditioning Mode: During this mode the red charging LED will be solid on indicating each battery is being charged in constant current mode as controlled by temperature until the battery voltage is raised to 14.1 VDC and will hold at 14.1 VDC in constant voltage mode for 2 to 3 hours to condition each battery. When completed, the red Charging LED will shut off.

Stage 4 - Energy Saver Auto Maintain Mode: During this mode the blue AC Power and green Auto Maintain LED will be solid on indicating each battery is being monitored while the charger is in standby mode consuming little to no power until the battery drops under 12.8 VDC (fully charged) and the charger outputs will turn on and auto maintain the battery in a fully charged state. This is fully automatic and safe for short and long term storage.

Note: The above applies to each individual charging output. Timing of LED status will vary from battery to battery based on discharge state of the battery connected.



Installation

ProMar1 DS 4 through 15 Amp Battery Charger models are designed to be permanently mounted on-board, and can be mounted vertically or horizontally.

Always mount your ProMar1 DS Series in a compartment area that can be properly ventilated during use.

Do NOT mix battery types on-board. All batteries should be of the same age and in good operating condition.

Do NOT make any electrical connections to the ProMar1 DS Series or batteries until the following steps are completed:

11 Easy to follow installation steps:

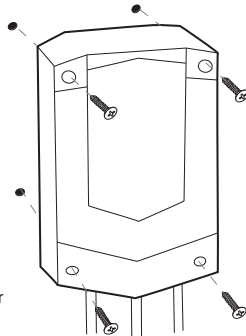
1. Select a flat mounting location that allows for free air ventilation with a minimum of 6 inches of clear unobstructed space around and in front of the ProMar1 DS Series On-Board Marine Battery Charger. Open all battery and engine compartments and ventilate for at least 15 minutes before starting the installation of the ProMar1 DS Series charger. Confirm all battery cables can reach each of the batteries.
2. Do not install charger on carpeted, upholstered, vinyl, or varnished areas. Be sure to place the ProMar1 DS Series in an accessible area where all indicators are viewable. Install this unit on a hard surface.
3. Using the ProMar1 DS Series or the enclosed template, mark the position of each mounting hole. Insure the mounting screws will not puncture or protrude into a live well, a fuel or oil tank or the bottom of the boat.
4. Using a 1/8" drill bit, drill pilot holes in the (4) marked locations as described in step 3. Apply a silicon sealer in each of the mounting locations to waterproof the screw holes.
5. Position the ProMar1 DS Series over the mounting holes and secure with a power screwdriver by installing 4 stainless steel #10x1.25 screws. **(mounting screws not included)**

IMPORTANT NOTICE

Confirm the surface you will be mounting the charger to is adequate in strength and thickness to hold the ProMar1 DS Series in place with the mounting screws you have selected.

Maintain an obstruction free area of 6 inches around the ProMar1 DS Series On-Board Marine Battery Charger

1/8" pilot hole
with silicon sealer



Installation Continued

6. Prepare each battery in advance by cleaning each terminal post with a wire brush until a shiny surface is obtained.
7. Run cables free from sharp objects and hold each in place with cable ties. Coil excess cable, do not cut or shorten the length of the cables, as in-line fuses are located 4 inches from the end of each red (positive) cable. In addition, there are fuses in all but one of the black (negative) leads. These fuses protect the charger and output cables in the event of a short or reverse polarity. We recommend the use of wire ties or cable clamps to provide strain relief for the cables and to reduce the risk of damage to the cables or connections.
8. Connect the DC output cables as illustrated on pages 14-20. Make sure the black wires are connected as illustrated to the negative side of the battery and the red wires are connected to the positive side of the battery.

Important Note: Your ProMar1 DS Series charger will not operate properly if it is not connected properly to each battery. Reminder, each DC jacketed bank cable must be properly connected to "individual 12V batteries." Number of DC jacketed bank cables equals the number of batteries that must be individually connected. Example: a 3 bank ProMar1 DS Series must be connected to 3 individual 12V batteries, as illustrated on pages 14-20. Simply choose the illustration that has the same number of charger output bank cables as your ProMar1 DS Series Battery Charger in hand and wire exactly as shown (choose the illustration that matches your application) for proper charger operation

9. Make sure all DC connections are correct, tight, and free from corrosion.
10. Locate the AC power cord in an open-air area of your boat at least 24 inches from the charger, batteries, and fuel fill lines.
11. Connect a heavy duty UL approved extension cord to the ProMar1 DS Series charger first. **After connecting the extension cord to the charger, proceed to plug the extension cord to a nearby 120 VAC GFCI protected (Ground Fault Circuit Interrupt) outlet.** Always remove the extension cord from the 120VAC outlet first when charging is completed, followed by unplugging the charger. You are now connected and charging your batteries, and can view the LED indicators.

Wiring your ProMar1 DS Series Charger Correctly

Simply choose the illustration that has the same number of charger outputs as your ProMar1 DS Series Battery Charger and matches your application. Then wire exactly as shown for proper charger operation.

Incorrect wiring can result in reverse polarity. In the event this happens, the ProMar1 DS Series has been designed to not fail as a result. Reverse polarity will cause the charger to "internally disconnect" and provide "no output" until the (reverse polarity) is corrected. A reverse polarity is caused by putting the "Red" + positive lead on a - negative battery terminal and/or a "Black" - negative lead on a + positive battery terminal. In the event of miswired battery(s), the charger will illuminate a red Battery Trouble Status LED for the specific battery requiring attention.

Installation

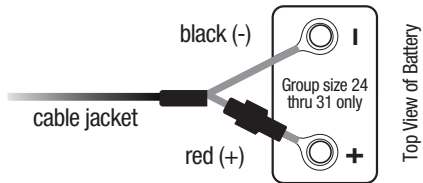
When connecting each jacketed battery charger cable, make sure it is connected to only **one 12 VDC battery** and observe the polarity and color of all connections:

- Red Wire = + (Positive) Battery connection
- Black Wire = - (Negative) Battery connection

The black wire can never be connected to a terminal with red wires. Only black.

Important: The pair of red and black wires in 1 cable jacket MUST GO TO THE SAME 12 VDC battery.

Each charger cable must be connected to 1 battery, just as shown. Observe black to (-) and red to (+). Do this for each battery.



When connecting to an engine start battery, connect the battery bank cable 1 that is LABELED: "Use on Engine Battery 1".


If there are more charger outputs than batteries, then a set of leads can be taped off until needed for an additional battery. Please note the Fault LED for taped / not used output will illuminate red until it is connected to a healthy battery.

Note: ProMar1 DS Series Waterproof Marine Battery Chargers are designed for any combination of group 24, 27, 29, 30 and 31 batteries. Each battery charger DC output cable must be connected to one (1) 12 Volt DC battery (even if batteries are configured for 24 Volt DC or 36 Volt DC trolling motor or system applications). Most specifically you do not have to remove series or parallel jumper cables to use your ProMar1 DS Series Charger. See typical wiring diagrams for these systems in the installation section of this manual.

Note: The ProMar1 DS Series must be connected to batteries to operate. It will not operate as a 12 volt power supply.

Fig. 1 ProMar1 DS 4 and 5 Single Bank Charger for 1 12V Battery

Dedicated 12 VDC Trolling Motor, House or Engine Battery Configuration

Note:
 Indicates Fuse

Installation

When connecting each jacketed battery charger cable, make sure it is connected to only **one 12 VDC battery** and observe the polarity and color of all connections:

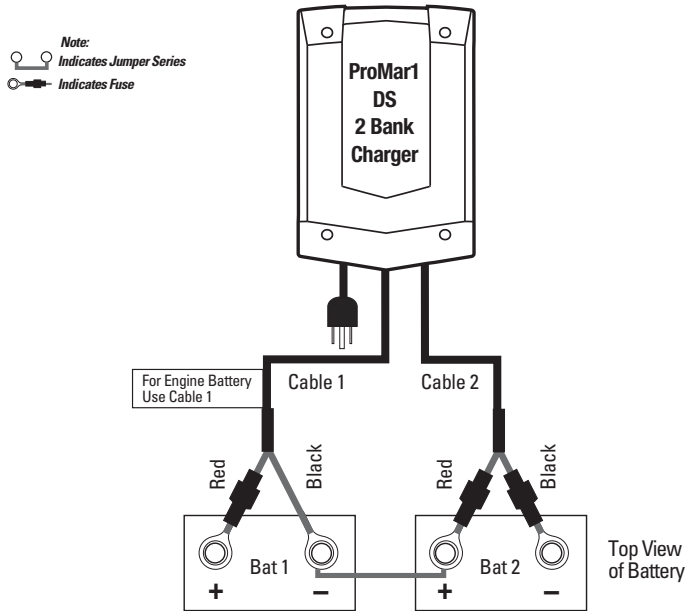
- Red Wire = + (Positive) Battery connection
- Black Wire = - (Negative) Battery connection

The black wire can never be connected to a terminal with red wires. Only black.

Important: The pair of red and black wires in 1 cable jacket MUST GO TO THE SAME 12 VDC battery.

Fig. 2 ProMar1 DS 4/4 and 5/5 Dual Bank Charger for 2 12V Batteries

Dedicated 24 VDC Trolling Motor Battery Configuration with (2) 12 VDC Batteries Connected with a Series Jumper



Two 12 VDC Batteries Connected with a Series Jumper for a 24 VDC Trolling Motor

Installation

When connecting each jacketed battery charger cable, make sure it is connected to only **one 12 VDC battery** and observe the polarity and color of all connections:

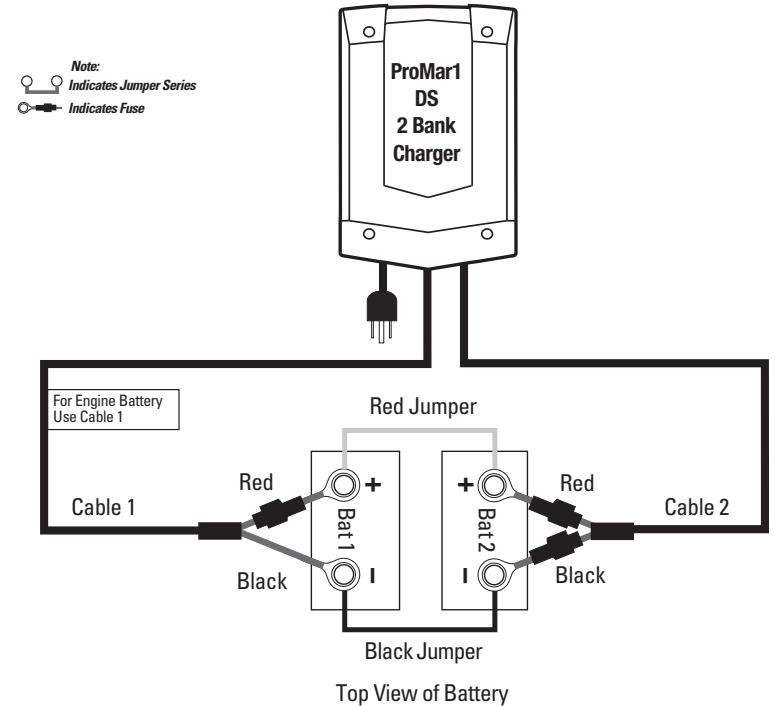
- Red Wire = + (Positive) Battery connection
- Black Wire = - (Negative) Battery connection

The black wire can never be connected to a terminal with red wires. Only black.

Important: The pair of red and black wires in 1 cable jacket MUST GO TO THE SAME 12 VDC battery.

Fig. 3 ProMar1 DS 4/4 and 5/5 Dual Bank Charger for 2 12V Batteries

Dedicated 12 VDC Parallel Trolling Motor or House Configuration



Installation

When connecting each jacketed battery charger cable, make sure it is connected to only **one 12 VDC battery** and observe the polarity and color of all connections:


- Red Wire = + (Positive) Battery connection
- Black Wire = - (Negative) Battery connection

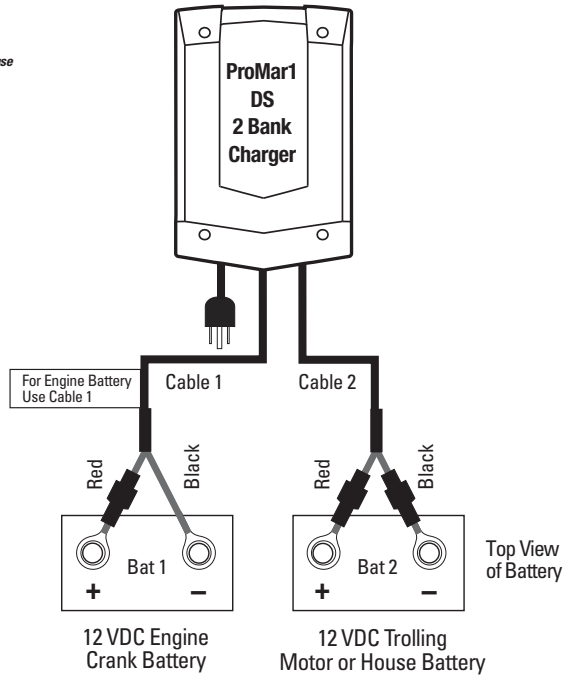
The black wire can never be connected to a terminal with red wires. Only black.

Important: The pair of red and black wires in 1 cable jacket MUST GO TO THE SAME 12 VDC battery.

Fig. 4 ProMar1 DS 4/4 and 5/5 Dual Bank Charger for 2 12V Batteries

12 VDC Trolling Motor or House Battery Configuration with a Dedicated 12 VDC Engine Start Battery

Note:
 Indicates Fuse



Installation

When connecting each jacketed battery charger cable, make sure it is connected to only **one 12 VDC battery** and observe the polarity and color of all connections:


- Red Wire = + (Positive) Battery connection
- Black Wire = - (Negative) Battery connection

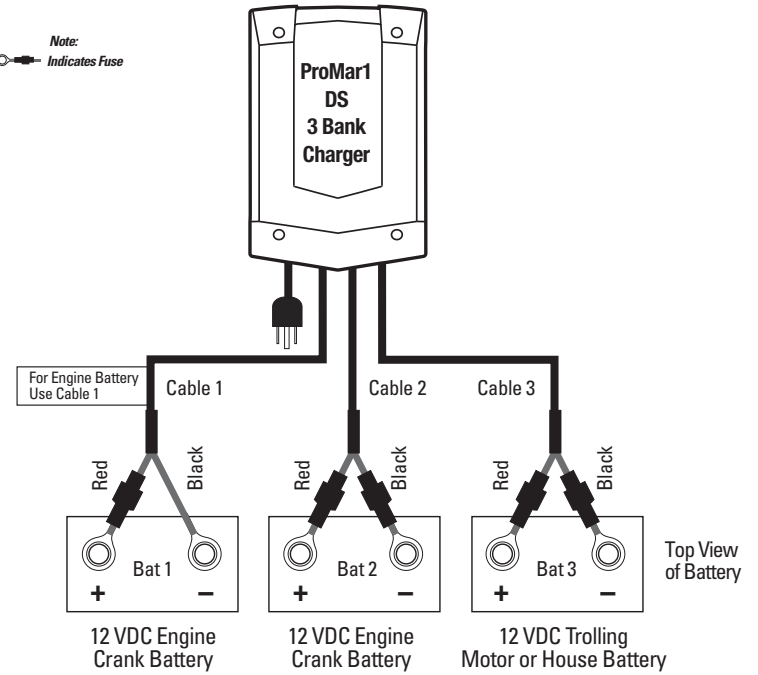
The black wire can never be connected to a terminal with red wires. Only black.

Important: The pair of red and black wires in 1 cable jacket MUST GO TO THE SAME 12 VDC battery.

Fig. 5 ProMar1 DS 4/4/4 and 5/5/5 Triple Bank Charger for 3 12V Batteries

Dedicated 12 VDC Trolling Motor or House Battery and 2 Engine Crank Batteries Typical Configuration

Note:
 Indicates Fuse



Installation

When connecting each jacketed battery charger cable, make sure it is connected to only **one 12 VDC battery** and observe the polarity and color of all connections:

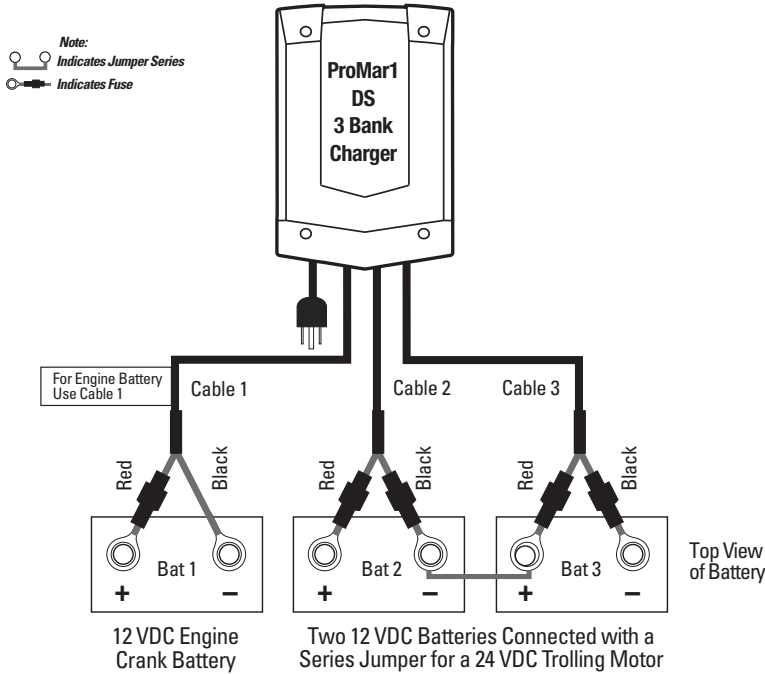
- Red Wire = + (Positive) Battery connection
- Black Wire = - (Negative) Battery connection

The black wire can never be connected to a terminal with red wires. Only black.

Important: The pair of red and black wires in 1 cable jacket MUST GO TO THE SAME 12 VDC battery.

Fig. 6 ProMar1 DS 4/4/4 and 5/5/5 Triple Bank Charger for 3 12V Batteries

24 VDC Trolling Motor or House Battery Configuration with (2) 12 VDC Batteries Connected with a Series Jumper Plus Dedicated 12 VDC Engine Start Battery



Installation

When connecting each jacketed battery charger cable, make sure it is connected to only **one 12 VDC battery** and observe the polarity and color of all connections:

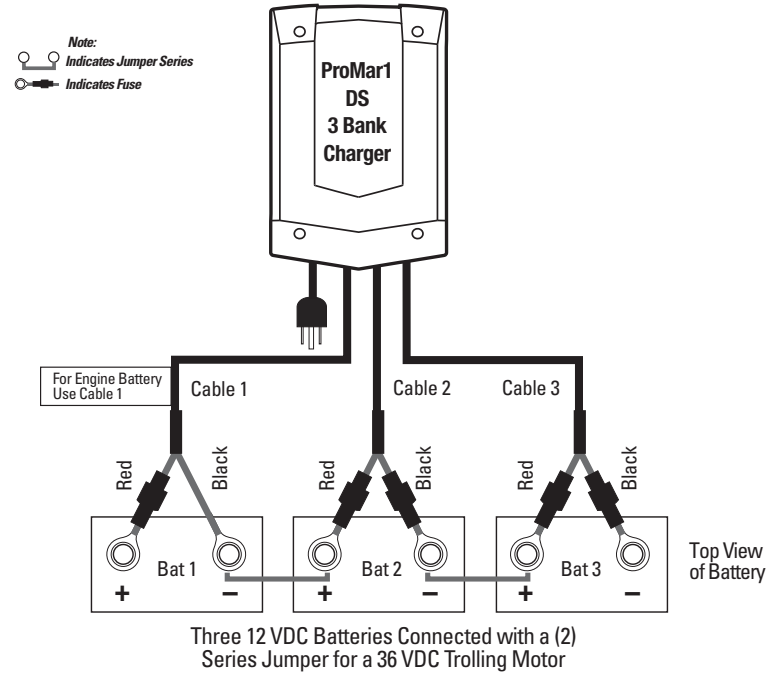
- Red Wire = + (Positive) Battery connection
- Black Wire = - (Negative) Battery connection

The black wire can never be connected to a terminal with red wires. Only black.

Important: The pair of red and black wires in 1 cable jacket MUST GO TO THE SAME 12 VDC battery.

Fig. 7 ProMar1 DS 4/4/4 and 5/5/5 Triple Bank Charger for 3 12V Batteries

Dedicated 36 VDC Trolling Motor Battery Configuration with (3) 12 VDC Batteries Connected with (2) Series Jumpers



Installation

When connecting each jacketed battery charger cable, make sure it is connected to only **one 12 VDC battery** and observe the polarity and color of all connections:

- Red Wire = + (Positive) Battery connection
- Black Wire = - (Negative) Battery connection

The black wire can never be connected to a terminal with red wires. Only black.

Important: The pair of red and black wires in 1 cable jacket MUST GO TO THE SAME 12 VDC battery.

⚠ DANGER: RISK OF ELECTRIC SHOCK.

Do not touch uninsulated portion of output connector or uninsulated battery terminal if 3 or more batteries are connected in series.

Charging Your Batteries

The ProMar1 DS Series is designed to charge, condition, and auto maintain your batteries during short or long term periods of storage. Please follow these steps each time you use your ProMar1 DS Series Charger:

1. Read manual and all warnings.
2. Review "Preparing to Charge a Battery" on page 6.
3. Ensure charger is installed as per the installation instructions.
4. Connect a heavy duty UL approved extension cord to the ProMar1 DS Series charger first. After connecting the extension cord to the charger, proceed to plug the extension cord to a nearby 120 VAC GFCI protected (Ground Fault Circuit Interrupt) outlet. Anytime power is applied to the ProMar1 DS Series the blue AC Power LED will illuminate.
5. The red Charge LED for each battery bank will illuminate indicating the charger is in Analyze mode. **It should be noted, Analyze mode can take up to 15 seconds as the ProMar1 DS will do a self test to check wiring connections and make sure the batteries are > than 4 VDC and are able to take a charge.**

Assuming there are no battery faults, the following charger operation sequences will proceed:

Note: If there is a bad connection, reverse polarity, or a battery that is below 4 VDC that can not accept a charge, then a RED Battery Trouble status LED will illuminate for the battery that requires attention. See page 23 for further troubleshooting details.

6. The red charge mode LED for each battery bank will remain ON indicating the charger has started its multi-stage charging process as outlined in the Multi-Stage Charging Overview section of this manual.

CAUTION HOT SURFACE. Avoid contact during charging operation as unit will be hot to the touch but operating safely and properly.

7. When the charge process is complete (or if your batteries are fully charged when you apply AC power), the green Auto Maintain (Energy Saver Mode) LED for each battery bank will illuminate indicating your batteries are fully charged.

Note: The above applies to each individual charging output. Timing of LED status will vary from battery to battery based on discharge state of the battery connected.

Owner's Periodic Maintenance Guide

Item:	Battery Connections
Process:	Clean and tighten all battery connections. Follow battery manufacturer's instructions for cleaning a battery. Clean all battery terminals with a wire brush where required and tighten all battery connections.
When:	Monthly

Item:	Battery Electrolyte
Process:	Per battery manufacturer's instructions, monitor, and maintain proper levels of distilled water in each battery.
When:	Monthly

Item:	DC Output Wiring
Process:	Visually inspect all wiring for cuts and abrasions. Contact ProMariner if your ProMar1 DS On-Board Marine Battery Charger needs to be serviced.
When:	Monthly

Item:	AC Power Cord
Process:	Visually inspect the AC power cord. Confirm ground blade is present and all plug blades are in good condition and not bent out of place.
When:	Monthly

Item:	Mounting Hardware Inspection
Process:	Check all mounting hardware to ensure there is no loose hardware. Tighten where required.
When:	Monthly

Troubleshooting

No Blue AC Power LED or Charge Mode LEDs

Check for loss of AC power at the 120 VAC outlet. Confirm GFCI (Ground Fault Circuit Interrupter) has not tripped. Check with a meter or 120 VAC test light that AC power is present at the end of your extension cord. Reset AC power if it was not present. Confirm all charger cables are installed with the correct polarity connections at each battery and that all connections are clean and tight. Wait 15 seconds while unit completes its analyze mode. If AC power is present and all connections are correct and LEDs do not illuminate, contact ProMariner ProMar1 DS Factory Service at 1-800-824-0524 from 8:30 am to 5pm Eastern Time. If your ProMar1 DS Series is within the warranty period of 3 years from the date of purchase, you can go to www.promariner.com where you will find our customer care return form and instructions.

Red Battery Bank Trouble Status LED is ON.

Identify the battery bank LED that is lit, remove AC power and check the battery bank indicated i.e 1, 2, or 3 (model specific). The LED indicates there is a fault present. Listed below are typical faults and what can be done to clear the red battery bank trouble status indicator (reapply AC power after making any corrections):

Poor battery connections - Make sure all connections are tight and clean

Blown DC cable fuse - Make sure all fuses are good with a digital ohm meter or continuity tester and visually inspect the ProMar1 DS Series's DC battery cables to insure they have not been compromised or shorted in any way.

Reverse polarity - Make sure all wiring connections are color coded and connected properly and that each bank cable goes to one 12V battery where (+) = red and (-) = black.

Battery too low to charge - with a digital voltmeter make sure the battery is over 4.0 VDC (if not have your battery charged out of the boat and have it load tested by your local battery dealer to insure it is safe to charge and that the battery is capable of holding a charge).

High battery voltage - Check to make sure one bank lead was not spread across 2 batteries connected in series for 24 VDC. If so correct by wiring to the diagrams on pages 14-20.

Battery(s) not charging, Blue AC Power LED, RED Charging LED is ON

Confirm all charger cables are installed with the correct polarity connections at each battery, and that all connections are clean and tight. Confirm that there are no bank trouble status LED indicators on. With the charger on, read DC voltage at each battery. If any of the readings are less than 12.8 VDC proceed with the following:

- A. Disconnect AC power at the 120 VAC outlet.
- B. Go to pages 14-20 of this manual and confirm your ProMar1 DS Series model charger is connected correctly as illustrated in the installation drawings.
- C. Upon completing B above; plug your charger into AC power and observe the LED display. Charger should be in the charging mode (charge mode indicator should be red). After completing a full charge cycle, 10-12 hours or more for deeply discharged or completely dead batteries, the green Auto Maintain LED will illuminate in addition to the blue AC Power LED.

Note: If a Digital Volt Meter (DVM) is available to you, instead of waiting to complete a full charge cycle, you can simply use a DVM and take DC voltage measurements across each 12 volt battery. As long as the voltage continues to increase while the red charging LED is on, this will serve as a confirmation that the charger is properly connected and is properly charging.

ProMar1 DS Marine Battery Charger Warranty

We are committed to customer satisfaction and value your business. If at any time during the warranty period you experience a problem with your new ProMar1 DS Marine Battery Charger, simply call us at 1-800-824-0524 between 8:30am-5pm (EST) Monday through Friday, for technical support or email info@promariner.com

WARRANTY CARD CAN BE REGISTERED AT WWW.PROMARINER.COM or the warranty card included in this manual can be completed and sent to ProMariner by mail.

PROMARINER PROMAR1 DS ON-BOARD MARINE BATTERY CHARGER LIMITED THREE-YEAR FACTORY WARRANTY

Each ProMar1 DS Marine Battery Charger model is guaranteed against defects in material and workmanship to the original consumer in normal use for 3 years from the date of purchase. ProMariner will at it's discretion repair or replace free of charge any defects in material or workmanship.

The following conditions apply:

- Warranty and repair adjustment calculated from manufacture date if not registered or proof of purchase within two weeks of sale.
- Warranty void if unauthorized repairs attempted.
- Deep water damage not covered under warranty
- Customer is responsible for shipping return unit to the ProMariner factory service center listed below.
- Cosmetic repairs are done at the owner's request and expense.

Purchase or other acceptance of the product shall be on the condition and agreement that ProMariner SHALL NOT BE LIABLE FOR INCIDENTAL OR CONSEQUENTIAL DAMAGES OF ANY KIND. (Some states do not allow the exclusion or limitation of incidental or consequential damages, so the above limitations may not apply to you.) This warranty is made in lieu of all other obligations or liabilities on the part of ProMariner. ProMariner neither assumes nor authorizes any person for any obligation or liability in connection with the sale of this product.

To make a claim under warranty, go to www.promariner.com and click on the resources tab and follow the instructions making sure to identify the product and the problem. If you can not use our online warranty claim registration, please feel free to call the ProMariner factory service center at the toll free number listed below. ProMariner will make its best effort to repair or replace the product, if found defective within the terms of the warranty, within 30 days after return of the product to the company. ProMariner will ship the repaired or replaced product back to the purchaser. This warranty gives you specific legal rights, and you may also have other rights, which vary from state to state or province to province. This warranty is in lieu of all others expressed or implied.

ProMariner
Factory Service Center & Technical Support
15 Dartmouth Drive, STE 101
Auburn, NH 03032.

USA TOLL FREE: 1-800-824-0524
Tel: (603) 433-4440 / Fax: (603) 433-4442
Visit us on the web at: www.promariner.com

ProMar¹

DIGITAL SERIES

Chargeur de batterie nautique embarqué



Étanche

Batteries à électrolyte liquide et Gel

3 Garantie de 3 ans

Écoénergétique



Manuel du propriétaire et guide d'installation

Référence	Modèle	Volts	Intensité par batterie (A)	Intensité totale (A)	Nbre bat	Câbles	Dimensions	Poids	Alimentation c.a.
31504	ProMar1 DS 4 Amp (OEM)	12	4	4	1	1,8 m	16,3 x 10,4 x 6,1 cm	1,8 kg	110-120V AC 50/60 Hz
31505	ProMar1 DS 5 Amp	12	5	5	1	1,8 m	16,3 x 10,4 x 6,1 cm	1,8 kg	110-120V AC 50/60 Hz
31508	ProMar1 DS 8 Amp (OEM)	12/24	4/4	8	2	1,8 m	23,4 x 14,5 x 6,1 cm	3,2 kg	110-120V AC 50/60 Hz
31510	ProMar1 DS 10 Amp	12/24	5/5	10	2	1,8 m	23,4 x 14,5 x 6,1 cm	3,2 kg	110-120V AC 50/60 Hz
31512	ProMar1 DS 12 Amp (OEM)	12/24/36	4/4/4	12	3	1,8 m	26,7 x 16,5 x 7,6 cm	5,0 kg	110-120V AC 50/60 Hz
31515	ProMar1 DS 15 Amp	12/24/36	5/5/5	15	3	1,8 m	26,7 x 16,5 x 7,6 cm	5,0 kg	110-120V AC 50/60 Hz

AVIS IMPORTANT

Veillez conserver et lire toutes les instructions de sécurité, d'utilisation et d'installation avant d'installer ou d'appliquer la tension du secteur à votre chargeur de batterie nautique embarqué chargeur de batterie nautique embarqué ProMar1 DS de ProMariner.

La satisfaction du client est notre priorité!

Veillez ne pas retourner cet appareil au détaillant ni au concessionnaire pour une demande d'entretien ou de garantie. Veuillez appeler notre Service d'aide à la clientèle au 1 800 824-0524 de 8 h 30 à 17 h heure de l'Est pour toute demande de garantie, de service ou d'assistance à l'installation. Merci – Service à la clientèle ProMariner

Pour une utilisation avec des batteries 12 V au plomb à électrolyte liquide et Gel. Ne pas utiliser avec des batteries 6 V. Ne pas utiliser avec des batteries de grande capacité 4D et 8D.

Numéro de modèle : _____ Numéro de série : _____ Date d'achat : _____

Visitez ProMariner en ligne sur le site www.promariner.com, pour un choix complet de produits marins de grande qualité...

En voici quelques-uns :

- Série ProMar1 DS – Chargeurs de batterie nautique étanches pour nautisme de plaisance
- Série ProSport – Chargeurs de batterie nautique à usage intensif pour nautisme de plaisance
- Série ProTournament*elite* – Chargeurs de batterie nautique professionnels pour la compétition nautique
- Série ProNauticP – Chargeurs de batterie nautique pour la navigation de plaisance et de croisière
- Série ProIsoCharge – Isolateurs chargeurs numériques sans chute de tension
- Chargeurs numériques mobiles de chargement en transit
- Mainteneur ProSport 1,5 A Multi-Usage
- Supports de fiche secteur
- Isolateurs de batterie
- Isolateurs galvaniques et systèmes contrôlés
- Produits anticorrosion
- Jumelles nautiques étanches
- Une ligne complète de multimètres portatifs
- Support technique et service à la clientèle en ligne

Consultez notre site fréquemment, nous ajoutons de nouveaux produits en permanence pour satisfaire votre plaisir de naviguer!

ProMariner™

15 Dartmouth Drive, STE 101
Auburn, New Hampshire 03032
603-433-4440
1-800-824-0524
www.promariner.com

Fabriqué à Chine

Caractéristiques sujettes à modifications sans avertissement préalable

Certifié conforme à UL STD. 1236
Certifié à CSA STD. C22.2 No. 107.2
FCC Class A

Conçu et fabriqué conformément à ABYC A-31



Intertek
5005862



Table des matières

Introduction...	29
Instructions sécuritaires importantes...	30-35
Description générale...	36
Utilisation générale...	37-38
Installation...	39-41
Schémas de câblage...	42-48
Chargement des batteries...	49
Entretien...	50
Dépannage...	51
Garantie...	52

AVIS IMPORTANT : NOTIFICATION DE LA FCC CLASSE A PARTIE 15

Les chargeurs de batterie nautique embarqués ProMar1 DS ont été conçus et testés et vérifiés conformément aux exigences de la réglementation FCC classe A partie 15. Si, en milieu résidentiel, un brouillage de la réception TV ou radio est constaté, il suffit de débrancher le chargeur de batterie embarqué ProMar1 DS de son alimentation secteur pour vérifier si le chargeur de batterie provoque le brouillage. Pour diminuer le brouillage, l'utilisateur final peut explorer les méthodes suivantes :

- 1) Choisir un circuit d'alimentation secteur différent pour alimenter le chargeur de batterie nautique embarqué ProMar1 DS
- 2) Vérifier que la prise de courant est correctement mise à la terre.
- 3) Repositionner l'antenne de réception.
- 4) Acheter un filtre de ligne secteur séparé.
- 5) Repositionner le chargeur de batterie nautique embarqué ProMar1 DS de telle manière qu'il soit à l'endroit le plus éloigné des appareils domestiques de réception : TV, radio, etc.



Introduction

Nous vous remercions pour l'achat de ce chargeur de batterie nautique embarqué ProMar1 DS, notre toute dernière génération de chargeurs de batterie nautique embarqués, comportant des avancées en matière de technologie de chargement numérique et de conception/construction étanche. Notre plate-forme de charge entièrement numérique incorpore les dernières nouveautés en matière de microprocesseur intégré et logiciel de commande pour la charge numérique précise en 4 phases de toutes les batteries 12 volts au plomb à électrolyte liquide et Gel.

Conçu pour allonger la durée de vie des batteries. Le ProMar1 DS analyse automatiquement les connexions de la batterie, les charges, les conditions et entretient automatiquement chaque batterie individuellement. Lorsque la charge est terminée, chaque sortie entrera dans un mode d'entretien automatique (économiseur d'énergie) pour un entreposage sécuritaire à long et à court terme. Le ProMar1 DS ne s'active que si nécessaire pour maintenir les batteries complètement chargées, ce qui a pour effet de réduire la consommation de courant secteur et de diminuer les coûts d'utilisation.

Les autres fonctionnalités comprennent :

- Technologie de chargement entièrement numérique
- Boîtier moulé en plastique robuste
- Entièrement encapsulé et 100 % étanche selon la norme IP68
- Chargement numérique entièrement automatique en 4 phases
- Chargement, détection et contrôle de batterie dédiés par banc de charge
- Voyants d'état détaillés à DEL
- Détection d'anomalie de câblage et de batterie
- Mode d'entretien automatique écoénergétique
- Résistant aux chocs pour toutes les applications sur eau douce et eau salée
- Précâblé pour faciliter l'installation
- Pour toute batterie 12 V au plomb à électrolyte liquide et Gel
- Sécurité intégrée : protection de polarité inverse, de surintensité, de surtension, de surchauffe et contre l'inflammation. Fusibles de sécurité c.c. en ligne pour une protection maximale des câbles de courant continu
- Garantie de 3 ans

Instructions sécuritaires importantes



CONSERVER CES INSTRUCTIONS

Ce manuel contient des instructions importantes concernant la sécurité et le fonctionnement pour les chargeurs de batterie nautique embarqués ProMar1 DS.



ATTENTION – Pour réduire le risque de blessures, ne charger que des batteries 12 V au plomb à électrolyte liquide et Gel. Les autres types de batteries risquent d'éclater et de provoquer des blessures.

LES CONNEXIONS EXTERNES AU CHARGEUR DOIVENT ÊTRE CONFORMES À LA RÉGLEMENTATION ÉLECTRIQUE DE LA GARDE CÔTIÈRE DES ÉTATS-UNIS (33CFR183, SOUS-PARTIE 1).

Avant de brancher les batteries ou d'appliquer l'alimentation secteur, lire toutes les instructions ainsi que les inscriptions de mise en garde sur le chargeur de batterie, les câbles et les batteries.



AVERTISSEMENT

Pour réduire le risque de blessure pour l'utilisateur ou de dommage à la propriété, l'utilisateur doit lire et comprendre le manuel d'instructions et tous les avertissements apposés sur le chargeur et les batteries avant l'utilisation.



AVERTISSEMENT

1. ATTENTION - RISQUE DE MÉLANGE DE GAZ EXPLOSIFS.
 - a. IL EST DANGEREUX DE TRAVAILLER À PROXIMITÉ D'UNE BATTERIE AU PLOMB. LES BATTERIES PRODUISENT DES GAZ EXPLOSIFS EN SERVICE NORMAL. IL EST AUSSI IMPORTANT DE TOUJOURS RELIRE LES INSTRUCTIONS AVANT CHAQUE UTILISATION DU CHARGEUR ET DE LES SUIVRE À LA LETTRE.
 - b. Pour réduire le risque d'explosion, lire ces instructions et celles qui figurent sur la batterie.
2. Utiliser le chargeur pour charger une batterie À ÉLECTROLYTE LIQUIDE uniquement. Ce chargeur n'est pas conçu pour alimenter un réseau électrique très basse tension ni pour charger des piles sèches. Le fait d'utiliser le chargeur pour charger des piles sèches pourrait entraîner l'éclatement des piles et causer des blessures ou des dommages.
3. L'utilisation d'un accessoire non recommandé ou non vendu par ProMariner peut entraîner un risque d'incendie, de choc électrique ou de blessures.
4. Afin de réduire le risque d'endommager la fiche et le cordon d'alimentation, tirer sur la fiche plutôt que sur le cordon pour déconnecter le chargeur.

Instructions sécuritaires importantes

5. Cordons prolongateurs :
 - a. le nombre de broches et leur forme et taille sont les mêmes sur la fiche du cordon prolongateur et la fiche du chargeur.
 - b. le cordon prolongateur est correctement câblé et en bon état électrique.
 - c. seul un cordon prolongateur de classe industrielle / à usage industriel homologué UL ou CSA et mis à la terre est utilisé. Avant l'utilisation, s'assurer que le cordon prolongateur n'est pas endommagé, que les broches ne sont pas tordues et qu'il ne présente aucune coupure. En cas d'endommagement, remplacer le cordon prolongateur. Toujours connecter le cordon prolongateur à la fiche du chargeur en premier. **Après avoir connecté le cordon prolongateur au chargeur, brancher le cordon prolongateur dans une prise 120 V c.a. à proximité et protégée par un disjoncteur de fuite de terre.** Consulter les recommandations du fabricant ci-après quant à la dimension appropriée des cordons prolongateurs avec mise à la terre homologués UL ou CSA.

ProMar1 DS 4, 5, 4/4, 5/5, 4/4/4 et 5/5/5 :

 - i. Jusqu'à 15 m de longueur, utiliser un cordon prolongateur à 3 fils de calibre 18 AWG.
 - ii. Entre 15 et 30 m de longueur, utiliser un cordon prolongateur à 3 fils de calibre 16 AWG.
 - iii. Entre 30 et 45 m de longueur, utiliser un cordon prolongateur à 3 fils de calibre 14 AWG.
6. Ne pas utiliser le chargeur en cas d'endommagement ou d'une défaillance de l'isolation protectrice des câbles c.a. ou c.c., des porte-fusibles cc. ou des cosses rondes. Contacter ProMariner immédiatement pour renvoyer le chargeur pour l'entretien et la réparation.
7. Ne pas utiliser le chargeur s'il a subi un coup violent, un impact direct, si on l'a laissé tombé ou s'il est autrement endommagé. Contacter ProMariner immédiatement pour renvoyer le chargeur pour l'entretien et la réparation.
8. Ne pas démonter le chargeur. Un remontage incorrect peut entraîner un risque de choc électrique ou d'incendie. Si une réparation ou une vérification est nécessaire, communiquer avec le service à la clientèle ProMariner en composant le 800-824-0524 entre 8h30 et 17h du lundi au vendredi, ou www.promariner.com. Toute tentative de vérification, de réparation ou de modification non autorisée peut entraîner un risque de choc électrique, d'incendie ou d'explosion et annule la garantie.
9. Pour réduire le risque de choc électrique, débrancher le chargeur de la prise avant tout entretien ou nettoyage.
10. NE PAS exposer la connexion du cordon d'alimentation secteur à la pluie ni à la neige.

Instructions sécuritaires importantes

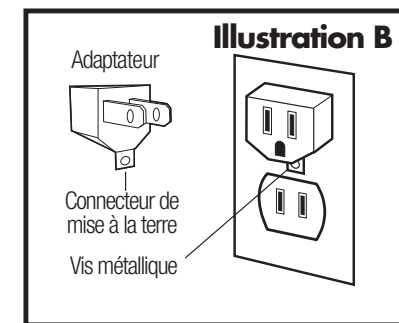
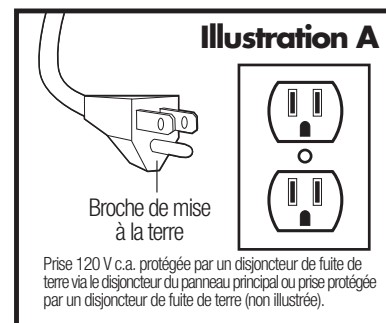
11. INSTRUCTIONS POUR LA MISE À LA TERRE ET LA CONNEXION DU CORDON D'ALIMENTATION C.A.
 - a. Le chargeur doit être mis à la terre afin de réduire les risques de choc électrique. Le cordon d'alimentation du chargeur est muni d'un conducteur de terre et d'une fiche avec mise à la terre. **La fiche doit être branchée dans une prise 120 V c.a. protégée par un disjoncteur de fuite de terre** qui est correctement installée et mise à la terre conformément à tous les codes et règlements locaux.

! DANGER

Ne jamais modifier le cordon d'alimentation C.A. ou la fiche du chargeur. Si la fiche ne s'adapte pas à la prise, faire installer une prise d'alimentation C.A. avec mise à la terre par un électricien qualifié. Une mauvaise connexion peut entraîner des risques de choc électrique.
 - b. Ce chargeur fonctionne sur un circuit nominal de 120 V et est muni d'une fiche avec mise à la terre (voir illustration A). Si aucune prise avec mise à la terre n'est disponible, il est possible d'utiliser un adaptateur qui se branchera dans la prise bipolaire (voir illustration B). **L'adaptateur temporaire devrait être utilisé uniquement jusqu'à ce qu'une prise mise à la terre adéquatement et protégée par un disjoncteur de fuite de terre puisse être installée par un technicien agréé.**

! DANGER

Avant d'utiliser l'adaptateur tel qu'illustré, s'assurer que la vis centrale de la plaque murale est mise à la terre. Le connecteur vert de l'adaptateur doit être relié à une prise correctement mise à la terre. Au besoin, remplacer la vis du cache de la prise par une vis plus longue pour fixer l'oreille ou la languette de l'adaptateur au cache de la prise et pour établir la mise à la terre de la prise de terre protégée par un disjoncteur de fuite de terre.



L'utilisation d'un adaptateur est interdite au Canada. Si une prise de courant avec mise à la terre n'est pas disponible, en faire installer une par un électricien qualifié avant d'utiliser cet appareil.

Instructions sécuritaires importantes

12. PRÉCAUTIONS PERSONNELLES

ATTENTION

- a. Prévoir la présence d'une personne dans l'environnement proche ou à portée de voix qui puisse venir en aide lors d'un travail à proximité d'une batterie au plomb.
- b. Veiller à disposer de suffisamment de savon, d'eau et de bicarbonate de soude à portée de main en cas de contact de l'acide de la batterie avec la peau, les vêtements ou les yeux.
- c. Prévoir une protection vestimentaire, oculaire et des mains adéquate. Éviter de se toucher les yeux lors du travail à proximité d'une batterie.
- d. Si l'acide de batterie entre en contact avec la peau ou les vêtements, laver immédiatement avec de l'eau et du savon. Si l'acide pénètre dans les yeux, rincer immédiatement et abondamment avec de l'eau froide pendant 15 minutes au moins et obtenir des soins médicaux immédiatement.
En cas d'ingestion d'électrolyte, boire de grandes quantités d'eau ou de lait. NE PAS se faire vomir. Obtenir rapidement des soins médicaux.
- e. Ne jamais fumer près de la batterie ou du moteur et éviter toute étincelle ou flamme nue à proximité de ces derniers.
- f. Faire preuve d'une grande prudence afin de réduire le risque de chute d'un outil métallique sur la batterie. Une chute d'outil peut provoquer une étincelle ou court-circuiter la batterie ou tout autre matériel électrique, ce qui peut entraîner une explosion ou un incendie.
- g. Enlever tout objet personnel en métal, notamment les bagues, bracelets, colliers, montres et bijoux lorsqu'on travaille à proximité d'une batterie. Une batterie peut provoquer un courant de court-circuit suffisamment élevé pour souder une bague ou tout autre objet métallique, avec pour conséquence des brûlures graves.
- h. Utiliser le chargeur pour charger une batterie au PLOMB-ACIDE uniquement. Le chargeur n'est pas conçu pour alimenter un système électrique basse tension autre que celui d'une application de démarrage de moteur. Ne pas utiliser le chargeur de batterie pour charger des batteries de piles sèches qui sont couramment utilisées dans les appareils électroménagers. Ces batteries risquent d'éclater et de provoquer des blessures et des dommages matériels.
- i. Ne JAMAIS charger une batterie gelée, endommagée ou qui fuit.
- j. Tenir toute personne, les enfants et les animaux de compagnie à l'écart des batteries et du chargeur pendant l'utilisation pour éviter des blessures graves, la mort, un incendie ou une explosion.

DANGER : RISQUE DE CHOC ÉLECTRIQUE

Ne pas toucher la partie de connecteur de sortie non isolée ou la borne de batterie non isolée si 3 ou davantage de batteries sont connectées en série.

Instructions sécuritaires importantes

13. PRÉPARATION AVANT DE CHARGER UNE BATTERIE

ATTENTION

- a. S'il est nécessaire d'enlever une batterie d'un bateau pour la charger, **toujours enlever de la batterie la borne de terre négative en premier**. Vérifier que tous les accessoires du bateau sont débranchés pour ne pas provoquer d'arc électrique.
- b. S'assurer que la zone autour du chargeur et de la batterie est bien ventilée pendant la charge de la batterie.
- c. Neutraliser avec du bicarbonate de soude tout électrolyte renversé sur un véhicule ou sur la zone de travail. Après avoir neutralisé, rincer et nettoyer la zone contaminée avec de l'eau.
- d. Nettoyer les bornes de la batterie. Faire preuve de prudence pour éviter tout contact d'un élément corrodé avec les yeux.
- e. Dans les batteries à électrolyte liquide dotées de capuchons amovibles, AJOUTER UNIQUEMENT DE L'EAU DISTILLÉE dans chaque cellule jusqu'à ce que l'électrolyte atteigne les niveaux spécifiés par le fabricant de la batterie. Ne pas trop remplir. Pour une batterie sans entretien qui n'est pas dotée de capuchons amovibles, notamment les batteries à soupape, respecter toutes les instructions du fabricant sur la recharge.
- f. Respecter toutes les mises en garde, tous les avertissements et toutes les instructions spécifiques du fabricant pendant la charge et les taux de charge recommandés. Ne jamais charger une batterie qui n'a pas de capuchons à événements de sécurité.
- g. Ne pas surcharger les batteries et ne pas tenter de charger des batteries au plomb à électrolyte liquide ou des batteries Gel qui ne sont pas de 12 volts.

Emplacement du chargeur et précautions de connexion C.C.

14. EMPLACEMENT DU CHARGEUR

ATTENTION

- a. Placer le chargeur aussi loin de la batterie que possible.
- b. Ne jamais placer le chargeur directement sous la batterie à charger ou au-dessus de cette dernière. Les gaz ou les fluides qui s'échappent de la batterie peuvent entraîner la corrosion du chargeur ou l'endommager.
- c. Ne pas faire fonctionner le chargeur dans un espace clos ou dans une zone avec ventilation restreinte.
- d. Ne jamais laisser l'acide de la batterie couler sur le chargeur lors de la mesure de la densité de l'électrolyte ou du remplissage d'une batterie.
- e. Ne pas poser une batterie sur un chargeur.
- f. Ne pas installer au-dessus ou sur des surfaces combustibles.

15. PRÉCAUTIONS DE CONNEXION C.C.

ATTENTION

- a. Connecter et déconnecter les câbles de sorties c.c. seulement après avoir retiré le cordon d'alimentation de la prise électrique. Ne jamais laisser les câbles se toucher.

Description générale

Le chargeur de batterie ProMar1 DS est un chargeur de batterie nautique embarqué entièrement automatique contrôlé numériquement. L'appareil est précâblé pour faciliter son installation et conçu 100 % étanche pour des applications en eau douce ou salée.

Le chargeur ProMar1 DS comprend un boîtier durable monobloc en plastique. L'appareil offre un chargement entièrement automatique qui inclut un mode d'entretien automatique (économiseur d'énergie) sécuritaire pour l'entreposage de longue et de courte durée. Le chargeur peut être laissé en marche pendant une période indéterminée sans endommager ni surcharger les batteries.

Des voyants à DEL bien visibles indiquent l'état de l'alimentation secteur et celui du chargement. De plus, le ProMar1 DS incorpore désormais des voyants individuels à DEL de détection des défauts de batterie et de câblage permettant un dépannage plus rapide des conditions générales du câblage et de l'identification de batterie en fin de vie.

Le chargeur de batterie ProMar1 DS est disponible en 3 modèles principaux avec des sorties de 5, 10 ou 15 ampères et peut être utilisé avec des systèmes de 12, 24 et 36 volts (spécifique au modèle). Les modèles OEM supplémentaires incluent les modèles à 4, 8 et 12 ampères.

Grâce au précâblage qui facilite l'installation, il suffit de brancher les bornes de sortie des câbles c.c. comme illustré dans la section d'installation du présent manuel.

Compréhension des types de batterie

Il existe principalement trois types de batterie : normale à électrolyte liquide, AGM (Absorbed Glass Mat) et Gel (à électrolyte gélifié). Habituellement, le type de batterie le plus couramment utilisé est la batterie normale à électrolyte liquide.

Presque toutes les batteries Gel portent l'indication qu'elles sont de type Gel sur le boîtier ou sur les étiquettes.

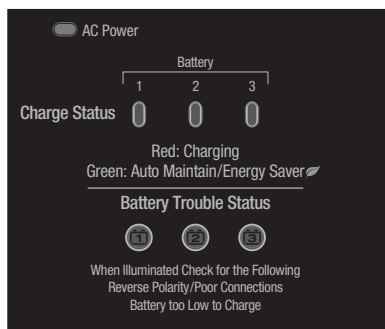
REMARQUE : Les batteries AGM (Absorbed Glass Mat) ne sont pas des batteries Gel (à électrolyte gélifié). Les batteries AGM sont chargées à l'aide d'un profil de chargement complètement différent comparé à celui des batteries Gel.

Pour une utilisation avec des batteries à électrolyte liquide ou gélifié. Ne pas utiliser avec des batteries AGM (Absorbed Glass Mat) ou de grande capacité 4D ou 8D.

*** Si vous n'êtes pas sûr du type de batterie en votre possession, nous vous recommandons de communiquer avec le fabricant de la batterie.

Utilisation Générale

La série ProMar1 DS comprend 1 DEL d'alimentation c.a. bleue avec 2 DEL par banc de batteries avec les fonctions suivantes :



DEL bleue d'alimentation secteur (AC Power) : La DEL s'allume en bleu lorsque le chargeur est connecté à une alimentation secteur.

Les DEL suivantes du mode de charge sont affectées à chaque batterie connectée et s'éclairent séquentiellement de la manière suivante :

DEL d'état de charge : Le voyant DEL de charge s'allume en rouge après l'application d'une alimentation secteur, ce qui indique que le chargeur est en train d'analyser les connexions de câblage, la polarité et le fait que la batterie connectée dispose d'une tension > 4 V c.c. et qu'elle est capable d'accepter une charge. Lorsque le voyant à DEL est rouge, le ProMar1 DS est en mode de charge qui sera suivi du mode de conditionnement. Lorsque cette opération est terminée :

Le voyant DEL d'état de charge s'allume en vert pour indiquer que le chargeur est en mode d'entretien automatique (écoénergétique). Pendant ce mode, les batteries sont complètement chargées et surveillées pour assurer automatiquement leur charge complète. Les sorties du chargeur s'activent et se désactivent selon les besoins.

DEL rouge d'anomalie : La DEL rouge d'anomalie s'allume en continu en cas de connexion de câblage lâche, d'inversion de polarité, de surtension c.c. ou en présence d'une très basse tension (< 4 V c.c.) de la batterie. Une batterie présentant une tension < 4 V c.c. doit être retirée et emmenée chez votre revendeur local de batterie pour la tester avant d'essayer de la recharger. Se reporter à la page 51 pour des informations de dépannage plus détaillées.

Aperçu du chargement numérique multiphase entièrement automatique

La série ProMar1 DS est conçue pour toutes les batteries 12 V au plomb à électrolyte liquide et Gel.

Types de batteries :	Profil de chargement
Toutes les batteries 12 V au plomb à électrolyte liquide (étanches sans entretien ou avec bouchons de ventilation) et Gel.	14,1 V c.c. en mode absorption (conditionnement) et jusqu'à 13,5 V c.c. en mode flottant (mode d'entretien automatique écoénergétique).

Remarque : En cas de doute sur le type de batterie en votre possession, nous vous recommandons de communiquer avec le fabricant de la ou des batteries.

Une fois que vous avez terminé l'installation de votre nouveau chargeur embarqué ProMar1 DS sans erreurs de câblage ou de connexion et que la tension de la ou des batteries connectées est > 4 V c.c., le ProMar1 DS effectue successivement les 4 phases du processus de charge numérique.

L'algorithme de charge numérique en 4 phases de ProMar1 DS est entièrement automatique et conçu pour prolonger la durée de vie des batteries.

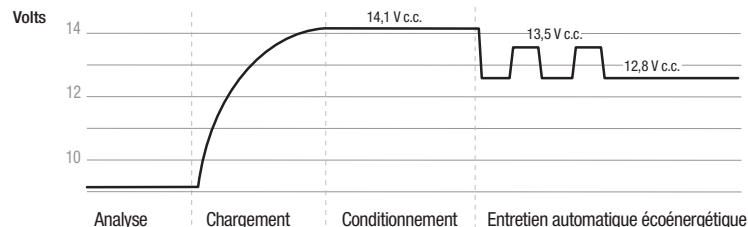
Phase 1 - Mode analyse : L'alimentation secteur est appliquée. La DEL rouge de charge du ProMar1 DS est allumée, indiquant qu'il analyse les connexions de câblage individuelles pour une connexion/polarité appropriée et que la tension de chaque batterie est supérieure à 4 V c.c. et qu'elle est capable d'accepter une précharge. Lorsque cette phase est terminée, toute erreur déclenche l'allumage d'une DEL rouge spécifique d'anomalie, ou si aucune anomalie n'est présente, la DEL rouge de charge s'allume en continu.

Phases 2 et 3 - Charge / mode conditionnement : Pendant ce mode, la DEL rouge de charge s'allume en continu, indiquant que chaque batterie est en train d'être chargée en mode de courant constant contrôlé par la température jusqu'à ce que la tension de la batterie atteigne 14,1 V c.c. et se maintienne à 14,1 V c.c. en mode de tension constante pendant 2 à 3 heures afin de conditionner chaque batterie. Lorsque le processus de charge est terminé, le voyant DEL Charging (Charge) s'éteint.

Phase 4 - Mode économie d'énergie d'entretien automatique : Pendant ce mode, les DEL bleue AC Power (Alimentation secteur) et verte Auto Maintain (Entretien automatique) sont allumées en continu indiquant que chaque batterie est surveillée pendant que le chargeur est en mode veille, consommant peu ou pas d'énergie, jusqu'à ce que la tension de la batterie tombe sous 12,8 V c.c. (complètement chargée) et que les sorties du chargeur s'activent pour maintenir automatiquement la charge complète de la batterie. Ce mode est entièrement automatique et sécuritaire pour l'entreposage à court et à long terme.

Remarque : Ce qui précède s'applique à chaque sortie individuelle de charge. Le délai d'allumage de la DEL d'état varie d'une batterie à l'autre en fonction de l'état de décharge de la batterie connectée.

Profil de chargement



Installation

Tous les chargeurs de batterie ProMar1 DS sont conçus pour être installés de façon permanente à bord, et peuvent être montés verticalement ou horizontalement.

Toujours installer le chargeur dans un compartiment pouvant être correctement ventilé pendant l'utilisation.

NE PAS mélanger les types de batteries embarquées. Toutes les batteries doivent avoir le même âge et être en bon état de fonctionnement.

NE PAS effectuer de branchements électriques au chargeur de batterie ou aux batteries avant d'avoir exécuté les étapes suivantes :

11 Étapes d'installation faciles à suivre :

1. Choisir un emplacement d'installation plat qui permet une ventilation à l'air libre avec un minimum de 15 cm (6 po) d'espace dégagé autour et à l'avant du chargeur de batterie nautique embarqué série ProMar1 DS. Ouvrir tous les compartiments batterie et moteur et ventiler pendant 15 minutes au moins avant de commencer l'installation du chargeur de batterie série ProMar1 DS. Vérifier que tous les câbles de batterie peuvent atteindre chacune des batteries.

2. Ne pas installer le chargeur dans des endroits revêtus de moquette, tapissés, en vinyle ou vernis. S'assurer que l'endroit où est placé le ProMar1 DS est accessible et que les voyants sont visibles. Installer cet appareil sur une surface dure.

3. Utiliser le chargeur ProMar1 DS comme gabarit, ou le gabarit en papier inclus pour marquer la position de chaque trou de montage. S'assurer que les vis de montage ne percent pas ou ne dépassent pas la paroi d'un réservoir opérationnel, d'un réservoir de carburant ou d'huile ou le fond du bateau.

4. À l'aide d'un foret de 3,15 mm (1/8 po), percer les avant-trous aux (4) endroits marqués décrits à l'étape 3. Appliquer du joint en silicone dans chaque emplacement de montage pour rendre étanches les trous de vis.

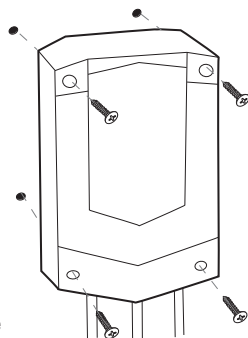
5. Placer le chargeur sur les trous de montage et le fixer à l'aide d'un tournevis électrique et 4 vis de qualité nautique ou des vis en acier inoxydable numéro 10 x 1,25. **(Vis de montage non incluses)**

AVIS IMPORTANT

Vérifier que la surface sur laquelle est monté le chargeur est suffisante en ce qui concerne la solidité et l'épaisseur pour maintenir le ProMar1 DS en place avec les vis de montage choisies.

Maintenir un espace libre de tout obstacle de 15 cm (6 po) autour du chargeur de batterie nautique embarqué ProMar1 DS.

Avant-trous de
3,15 mm (1/8 po)
avec joint en silicone



Installation (suite)

- En avance, préparer chaque batterie en nettoyant chaque borne avec une brosse métallique jusqu'à obtenir une surface brillante.
- Faire passer les câbles à l'écart d'objets acérés et les maintenir en place séparément à l'aide d'attaches de câble. Enrouler le câble excédentaire, ne pas couper ni raccourcir la longueur des câbles car ils sont munis de fusibles intégrés situés à 10 cm (4 po) de l'extrémité de chaque câble positif (rouge). En outre, tous les fils sont munis de fusibles, sauf un des fils négatif (noir). Ces fusibles protègent le chargeur et les câbles de sortie dans l'éventualité d'un court-circuit de câblage. Il est recommandé d'utiliser des attaches de câble ou des serre-câbles pour amenuiser les efforts de tension sur les câbles et réduire le risque de dommages aux câbles ou aux branchements.
- Brancher les câbles de sortie c.c. comme illustré sur les pages 42-48. Vérifier que le fil noir est branché comme illustré sur le côté négatif de la batterie et que le fil rouge est branché sur le côté positif de la batterie.

Avis important : Le chargeur ProMar1 DS ne fonctionnera pas correctement s'il n'est pas branché correctement à chaque batterie. Rappel : le ProMar1 DS ainsi que chaque câble de banc c.c. gainé doivent être correctement branchés aux « batteries 12 V individuelles ». Le nombre de câbles de banc c.c. gainés doit être égal au nombre de batteries devant être branchées individuellement. Exemple : un chargeur 3 bancs ProMar1 DS doit être branché à 3 batteries 12 V individuelles, comme illustré dans les pages 42-48. Il suffit de choisir l'illustration qui comporte le même nombre de câbles de sortie de banc que le chargeur de batterie ProMar1 DS dont on dispose et de câbler exactement comme illustré (choisir l'illustration qui correspond à l'application) pour une utilisation correcte du chargeur.

- Vérifier que tous les branchements c.c. sont corrects, serrés et exempts de corrosion.
- Placer le cordon d'alimentation secteur à l'air libre sur le bateau, à au moins 61 cm (24 po) du chargeur, des batteries et des tuyaux de remplissage du carburant.
- En premier lieu, brancher un cordon prolongateur à usage industriel homologué UL au chargeur de batterie. **Après avoir branché le cordon prolongateur au chargeur, brancher le cordon prolongateur dans une prise 120 V c.a. à proximité et protégée par un disjoncteur de fuite de terre.** Toujours retirer le cordon prolongateur de la prise 120 V c.a. en premier quand le chargement est terminé, et seulement après débrancher le chargeur. Le branchement est maintenant terminé et les batteries sont en cours de chargement. Observer les voyants DEL.

Câblage correct du chargeur ProMar1 DS

Il suffit de choisir l'illustration qui présente le même nombre de sorties de chargeur que votre chargeur de batterie Série ProMar1 DS et qui correspond à votre application. Ensuite, câbler exactement comme indiqué pour un bon fonctionnement du chargeur.

Un câblage incorrect peut entraîner une polarité inverse. Si cela se produit, la série des chargeurs ProMar1 DS a été conçue pour ne pas en être affectée. La polarité inverse entraînera la « déconnexion interne » du chargeur qui ne fournira « aucune sortie » jusqu'à ce qu'elle (la polarité inverse) soit corrigée. Une polarité inverse est causée par le fait de placer le fil « Rouge » + sur une borne de batterie négative et/ou un fil « Noir » sur une borne de batterie positive +. Dans le cas d'une batterie ou de batteries incorrectement branchées, le chargeur allume la DEL rouge d'anomalie de batterie pour la batterie qui demande une attention.

Installation

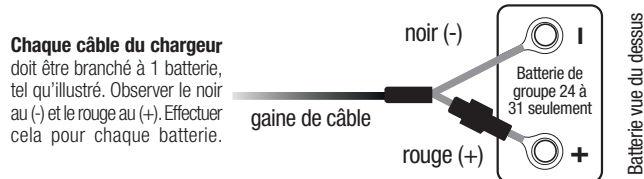
Lors du branchement de chaque câble gainé du chargeur de batterie, vérifier qu'il est branché seulement à une batterie 12 V c.c. et observer la polarité ainsi que les couleurs de tous les branchements.

Fil rouge = branchement de batterie + (positif)

Fil noir = branchement de batterie - (négatif)

Le fil noir ne doit jamais être branché à une borne munie de fils rouges. Uniquement de fils noirs.

Important : La paire de fils rouge et noir à l'intérieur d'une même gaine de câble DOIT ALLER À LA MÊME BATTERIE 12 V c.c..



Lors du branchement sur une batterie de démarrage de moteur, brancher le câble 1 de banc de batterie MARQUÉ : « Use on Engine Battery 1 » (Utiliser sur batterie de démarrage moteur 1)

Si on dispose de plus de sorties de chargeur qu'il n'y a de batteries, un jeu de câbles peut être retiré jusqu'à ce qu'il soit nécessaire pour une batterie supplémentaire. Veuillez noter que le voyant de défaut de la sortie connectée / non utilisée s'allume en rouge jusqu'à ce qu'elle soit connectée à une batterie en bon état.

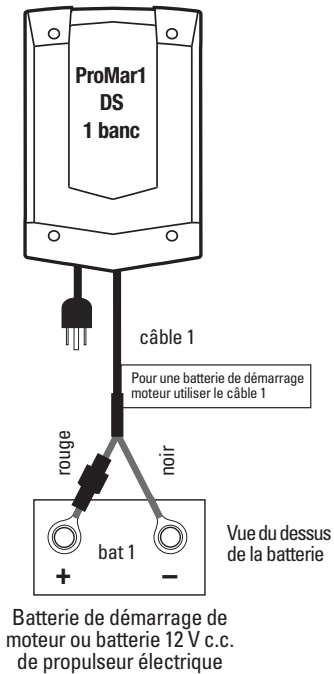
Remarque : Les chargeurs de batteries nautiques embarqués étanches série ProMar1 DS sont conçus pour toute combinaison de batteries des groupes 24, 27, 29, 30 et 31. Chaque câble de sortie c.c. du chargeur doit être branché sur une (1) batterie 12 V c.c. (même si les batteries sont configurées pour des propulseurs électriques ou des applications de systèmes 24 V c.c. ou 36 V c.c.). Plus spécifiquement, il n'est pas nécessaire de retirer les câbles de mise en série ou en parallèle pour l'utilisation du chargeur série ProMar1 DS. Se reporter aux schémas de câblage pour ces systèmes dans la section d'installation du présent manuel.

Remarque : Le série ProMar1 DS doit être branché aux batteries pour pouvoir fonctionner. Il ne fonctionne pas comme alimentation 12 V.

Fig.1 Chargeur ProMar1 DS mono banc 4 et 5 pour 1 batterie 12 V

Configuration conçue pour une batterie 12 V c.c. de propulseur électrique, de servitude ou de moteur

Remarque : Indique une barrette de mise en série



Installation

Lors du branchement de chaque câble gainé du chargeur de batterie, vérifier qu'il est branché seulement à une batterie 12 V c.c. et observer la polarité ainsi que les couleurs de tous les branchements.

Fil rouge = branchement de batterie + (positif)



Fil noir = branchement de batterie - (négatif)

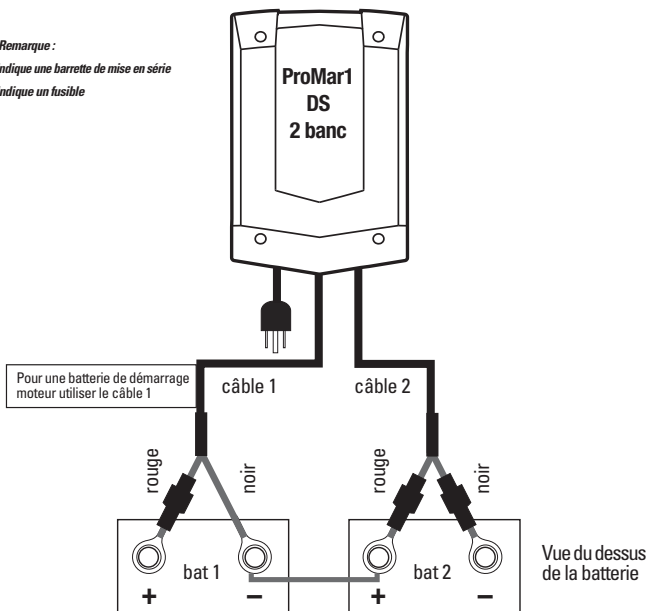
Le fil noir ne doit jamais être branché à une borne munie de fils rouges. Uniquement de fils noirs.

Important : La paire de fils rouge et noir à l'intérieur d'une même gaine de câble DOIT ALLER À LA MÊME BATTERIE 12 V c.c..

Fig. 2 Chargeur ProMar1 DS double banc 4/4 et 5/5 pour 2 batteries 12 V

Configuration avec (2) batteries 12 V c.c. branchées avec une barrette de mise en série, conçue pour un propulseur électrique 24 V c.c.

Remarque :
 Indique une barrette de mise en série
 Indique un fusible



Deux batteries 12 V c.c. branchées en série avec une barrette pour un propulseur électrique 24 V c.c.

Installation

Lors du branchement de chaque câble gainé du chargeur de batterie, vérifier qu'il est branché seulement à **une batterie 12 V c.c.** et observer la polarité ainsi que les couleurs de tous les branchements.

Fil rouge = branchement de batterie + (positif)



Fil noir = branchement de batterie - (négatif)

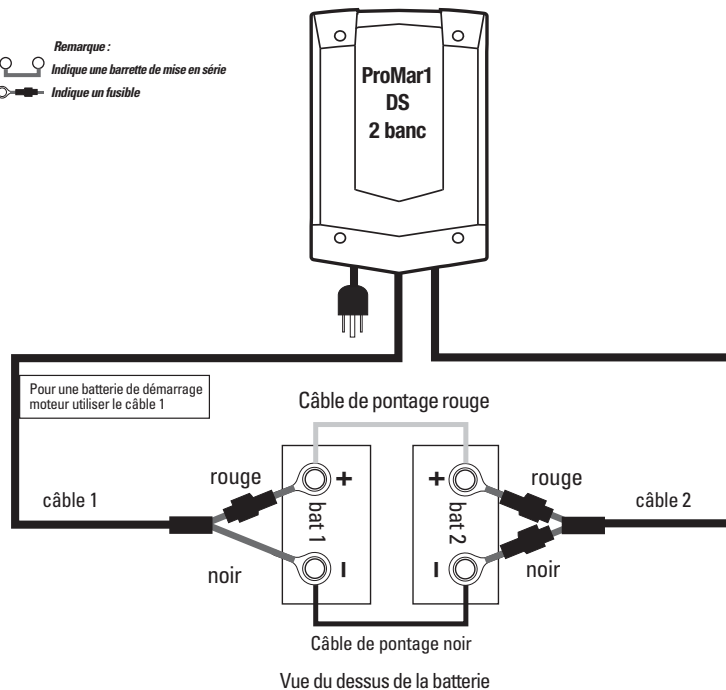
Le fil noir ne doit jamais être branché à une borne munie de fils rouges.
 Uniquement de fils noirs.

Important : La paire de fils rouge et noir à l'intérieur d'une même gaine de câble DOIT ALLER À LA MÊME BATTERIE 12 V c.c..

Fig. 3 Chargeur ProMar1 DS double banc 4/4 et 5/5 pour 2 batteries 12 V

Configuration conçue pour batteries 12 V c.c. de moteur de propulseur électrique ou de servitude en parallèle

Remarque :
 Indique une barrette de mise en série
 Indique un fusible



Vue du dessus de la batterie

Installation

Lors du branchement de chaque câble gainé du chargeur de batterie, vérifier qu'il est branché seulement à **une batterie 12 V c.c.** et observer la polarité ainsi que les couleurs de tous les branchements.

Fil rouge = branchement de batterie + (positif)

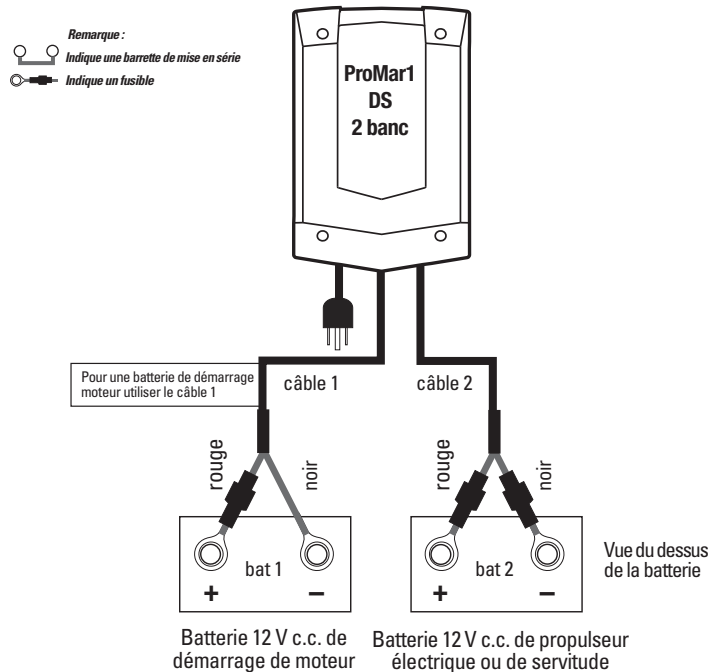
Fil noir = branchement de batterie - (négatif)

Le fil noir ne doit jamais être branché à une borne munie de fils rouges.
 Uniquement de fils noirs.

Important : La paire de fils rouge et noir à l'intérieur d'une même gaine de câble DOIT ALLER À LA MÊME BATTERIE 12 V c.c..

Fig. 4 Chargeur ProMar1 DS double banc 4/4 et 5/5 pour 2 batteries 12 V

Configuration conçue pour batteries 12 V c.c. de propulseur électrique ou de servitude avec une batterie de démarrage de moteur 12 V c.c.



Installation

Lors du branchement de chaque câble gainé du chargeur de batterie, vérifier qu'il est branché seulement à **une batterie 12 V c.c.** et observer la polarité ainsi que les couleurs de tous les branchements.

Fil rouge = branchement de batterie + (positif)

Fil noir = branchement de batterie - (négatif)

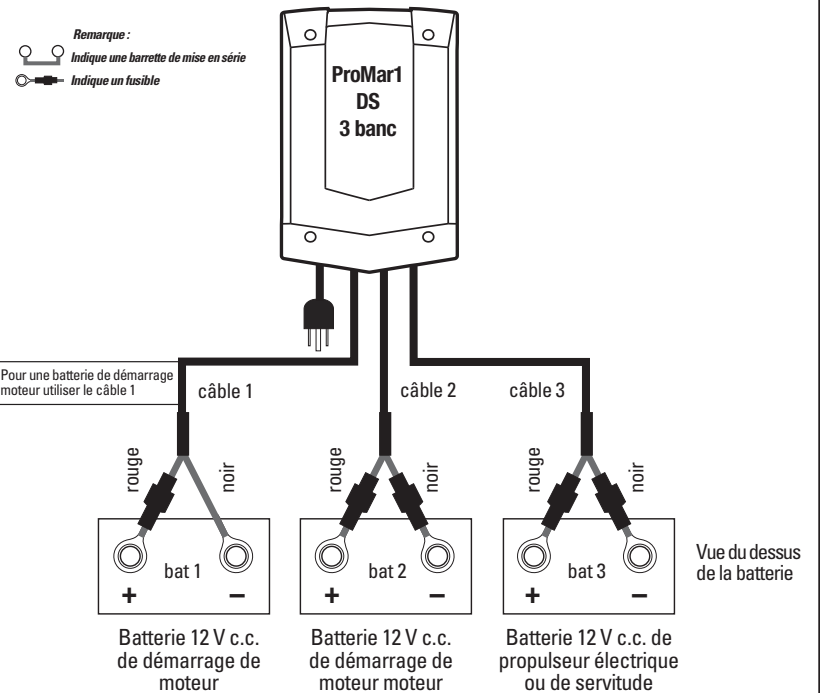
Le fil noir ne doit jamais être branché à une borne munie de fils rouges.

Uniquement de fils noirs.

Important : La paire de fils rouge et noir à l'intérieur d'une même gaine de câble DOIT ALLER À LA MÊME BATTERIE 12 V c.c..

Fig. 5 Chargeur ProMar1 DS triple banc 4/4/4 et 5/5/5 pour 3 batteries 12 V

Configuration typique conçue pour banc 12 V c.c. de propulseur électrique / de servitude et 2 batteries de démarrage de moteur



Installation

Lors du branchement de chaque câble gainé du chargeur de batterie, vérifier qu'il est branché seulement à **une batterie 12 V c.c.** et observer la polarité ainsi que les couleurs de tous les branchements.

Fil rouge = branchement de batterie + (positif)

Fil noir = branchement de batterie - (négatif)



Le fil noir ne doit jamais être branché à une borne munie de fils rouges.

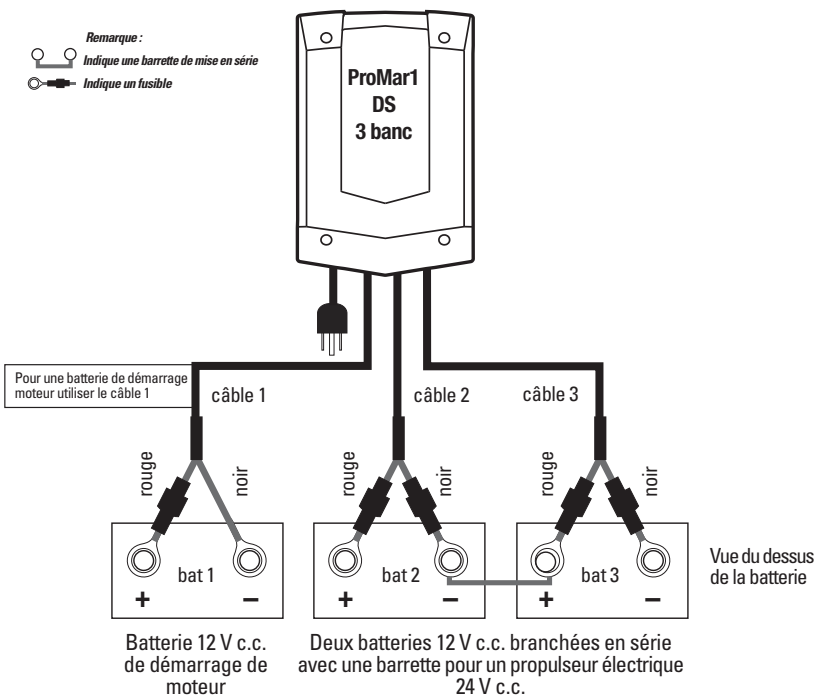
Uniquement de fils noirs.

Important : La paire de fils rouge et noir à l'intérieur d'une même gaine de câble DOIT ALLER À LA MÊME BATTERIE 12 V c.c..

Fig. 6 Chargeur ProMar1 DS triple banc 4/4/4 et 5/5/5 pour 3 batteries 12 V

Configuration avec (2) batteries 12 V c.c. branchées avec une barrette de mise en série, conçue pour une batterie de propulseur électrique 24 V c.c. plus une batterie 12 V c.c. de démarrage de moteur

Remarque :
 Indique une barrette de mise en série
 Indique un fusible



Installation

Lors du branchement de chaque câble gainé du chargeur de batterie, vérifier qu'il est branché seulement à une batterie 12 V c.c. et observer la polarité ainsi que les couleurs de tous les branchements.

Fil rouge = branchement de batterie + (positif)



Fil noir = branchement de batterie - (négatif)

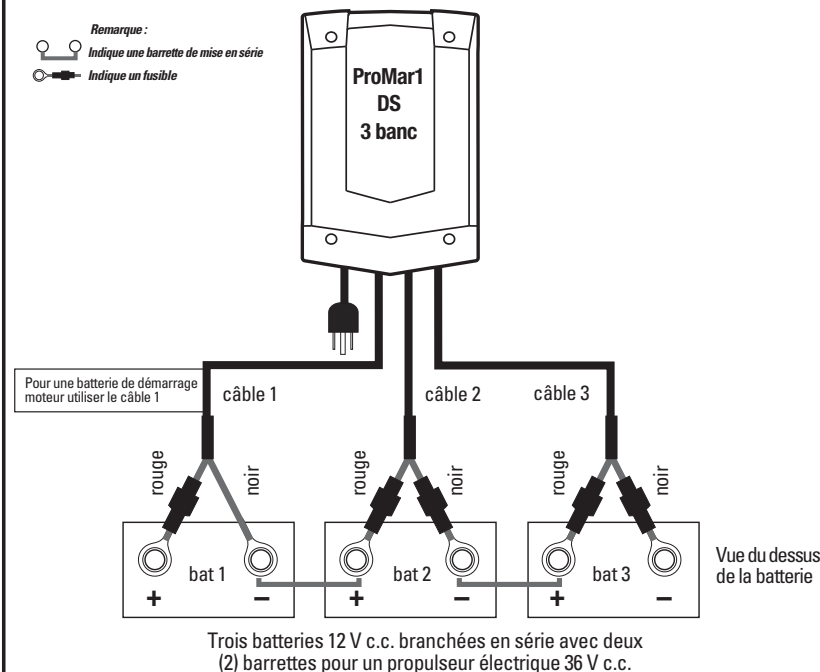
Le fil noir ne doit jamais être branché à une borne munie de fils rouges. Uniquement de fils noirs.

Important : La paire de fils rouge et noir à l'intérieur d'une même gaine de câble DOIT ALLER À LA MÊME BATTERIE 12 V c.c.

Fig. 7 Chargeur ProMar1 DS triple banc 4/4/4 et 5/5/5 pour 3 batteries 12 V

Configuration avec (3) batteries 12 V c.c. branchées avec (2) barrettes de mise en série, conçue pour une batterie de propulseur électrique 36 V c.c.

Remarque :
 Indique une barrette de mise en série
 Indique un fusible



Installation

Lors du branchement de chaque câble gainé du chargeur de batterie, vérifier qu'il est branché seulement à une batterie 12 V c.c. et observer la polarité ainsi que les couleurs de tous les branchements.

Fil rouge = branchement de batterie + (positif)

Fil noir = branchement de batterie - (négatif)

Le fil noir ne doit jamais être branché à une borne munie de fils rouges. Uniquement de fils noirs.

Important : La paire de fils rouge et noir à l'intérieur d'une même gaine de câble DOIT ALLER À LA MÊME BATTERIE 12 V c.c.

⚠ DANGER : RISQUE DE CHOC ÉLECTRIQUE

Ne pas toucher la partie de connecteur de sortie non isolée ou la borne de batterie non isolée si 3 ou davantage de batteries sont connectées en série.

Chargement des batteries

Les chargeurs de la ProMar1 DS sont conçus pour charger, conditionner et entretenir automatiquement vos batteries pendant les périodes courtes ou longues d'entreposage. Veuillez suivre ces étapes chaque fois que vous utilisez votre chargeur ProMar1 DS.

1. Lire le manuel et tous les avertissements.
2. Relire en page 34 « Préparation avant de charger une batterie ».
3. Vérifier que le chargeur est installé conformément aux instructions d'installation.
4. En premier lieu, brancher un cordon prolongateur à usage industriel homologué UL au chargeur ProMar1 DS. Après avoir branché le cordon prolongateur au chargeur, brancher le cordon prolongateur dans une prise 120 V c.a. à proximité et protégée par un disjoncteur de fuite de terre. Dès que l'alimentation secteur est appliquée au ProMar1 DS, la DEL bleue s'allume.
5. La DEL rouge de charge pour chaque banc de batterie s'allume pour indiquer que le chargeur est en mode d'analyse. **Le ProMar1 DS effectue un autotest, vérifie toutes les connexions de câblage et s'assure que la tension des batteries est supérieure à 4 V c.c. et qu'elles sont capables d'être chargées.**

En supposant qu'aucune anomalie de batterie n'a été détectée, les séquences suivantes de fonctionnement du chargeur s'enchaînent :

Remarque : En cas de mauvaise connexion, d'inversion de polarité, ou si la tension d'une batterie est inférieure à 4 V c.c., ce qui n'autorise pas la charge, une DEL rouge d'état d'anomalie de batterie s'allume pour la batterie qui a besoin d'attention. Se reporter à la page 51 pour des informations de dépannage plus détaillées.

6. La DEL rouge de mode de charge pour chaque banc de batteries reste allumée, indiquant que le chargeur a commencé son processus de chargement multiphase comme indiqué dans la section Aperçu du chargement multiphase de ce manuel.

ATTENTION SURFACE CHAUDE. Éviter le contact pendant la charge car l'unité sera chaude au toucher. Toutefois, elle fonctionnera correctement et en toute sécurité.

7. Quand le processus de charge est terminé (ou si vos batteries sont complètement chargées lorsque l'alimentation secteur est appliquée), la DEL verte d'entretien automatique (mode écoénergétique) pour chaque banc de batterie s'allume pour indiquer que les batteries sont complètement chargées.

Remarque : Ce qui précède s'applique à chaque sortie individuelle de charge. Le délai d'allumage de la DEL d'état varie d'une batterie à l'autre en fonction de l'état de décharge de la batterie connectée.

Guide d'entretien périodique du propriétaire

Article :	Branchements de batterie
Processus :	Nettoyer et serrer tous les branchements de batterie. Suivre les instructions du fabricant pour nettoyer une batterie. En cas de besoin, nettoyer toutes les bornes de batterie avec une brosse métallique et serrer tous les branchements.
Fréquence :	Mensuelle
Article :	Électrolyte de batterie
Processus :	Pour les batteries à électrolyte liquide, selon les instructions du fabricant, contrôler et maintenir les niveaux corrects d'eau distillée dans chaque batterie.
Fréquence :	Mensuelle
Article :	Câblage de sortie c.c.
Processus :	Inspecter visuellement tous les câbles pour repérer coupures et abrasions. Communiquer avec ProMariner si le ProMar1 DS a besoin d'un nouveau câblage.
Fréquence :	Mensuelle
Article :	Cordon d'alimentation secteur
Processus :	Inspecter visuellement le cordon d'alimentation secteur. Confirmer que la broche de terre est présente et que toutes les broches de la fiche sont en bon état et non tordues.
Fréquence :	Mensuelle
Article :	Inspection des pièces de montage
Processus :	Vérifier toutes les pièces de montage pour garantir leur serrage. Serrer au besoin.
Fréquence :	Mensuelle

Dépannage

Pas de DEL bleue d'alimentation secteur (AC Power) ni de DEL de mode de charge

Vérifier un possible défaut d'alimentation à la prise 120 V c.a.. Vérifier que le disjoncteur de fuite de terre n'a pas disjoncté. Vérifier avec un multimètre ou une lampe test de 120 V c.a. que la tension c.a. est présente à l'extrémité du cordon prolongateur. Rétablir l'alimentation secteur si elle n'était pas présente. Vérifier que tous les câbles du chargeur sont installés avec les branchements correctement polarisés sur chaque batterie et que tous les branchements sont propres et correctement serrés. Attendre 15 secondes pendant que l'appareil termine son mode d'analyse. Si l'alimentation secteur est présente, si tous les branchements sont corrects et si les DEL ne s'allument pas, communiquer avec ProMariner au 1 800 824-0524, de 8 h 30 à 17 h heure de l'Est. Si la période de garantie de 3 ans depuis la date d'achat du ProMar1 DS n'est pas achevée, consulter le site www.promariner.com, où sont disponibles les imprimés de retour et les instructions de notre service à la clientèle.

DEL rouge d'état d'anomalie de banc de batterie est allumée (ON).

Identifier le banc de batterie correspondant à la DEL allumée, débrancher l'alimentation secteur et vérifier le banc de batterie indiqué, par ex. 1, 2 ou 3 (spécifique au modèle). La DEL indique qu'une anomalie est présente. Les anomalies les plus courantes et les actions possibles pour que le voyant rouge d'état d'anomalie de banc de batterie ne s'allume pas sont listées ci-dessous (rebrancher l'alimentation secteur après toutes les corrections) :

Branchements de batterie de mauvaise qualité - Vérifier que tous les branchements sont serrés et propres

Fusible de câble c.c. grillé - Vérifier que tous les fusibles sont fonctionnels avec un ohmmètre numérique ou avec un testeur de continuité et inspecter visuellement les câbles c.c. de batterie du ProMar1 DS pour s'assurer qu'il n'ont pas été abîmés ou court-circuités en aucune façon.

Polarité inverse - Vérifier que tous les branchements de câble sont codés par couleur, branchés correctement et que chaque câble de banc est branché à une batterie 12 V où : (+) = rouge et (-) = noir.

Tension de batterie trop faible pour le chargement - Avec un voltmètre numérique, vérifier que la tension de la batterie est supérieure à 4 V c.c. (si ce n'est pas le cas, faire charger la batterie en dehors du bateau et la faire tester par le concessionnaire de batterie local pour garantir que la batterie est sans danger et capable de tenir une charge).

Tension d'entrée de batterie trop élevée - Vérifier et s'assurer qu'un câble de banc n'a pas été réparti sur 2 batteries branchées en série pour du 24 V c.c.. Si c'est le cas, corriger en se servant des schémas des pages 42 à 48.

La ou les batteries ne se chargent pas, la DEL BLEUE d'alimentation secteur et les DEL ROUGES de chargement sont allumées (ON)

Vérifier que tous les câbles du chargeur sont installés avec les branchements correctement polarisés sur chaque batterie et que tous les branchements sont propres et correctement serrés. Vérifier que les voyants DEL d'état d'anomalie de banc sont éteintes. Le chargeur étant en marche, relever la tension c.c. de chaque batterie. Si un des relevés est inférieur à 12,8 V c.c., procéder de la façon suivante :

- Débrancher l'alimentation secteur de la prise 120 V c.a.
- Se reporter aux pages 42 à 48 du présent manuel et vérifier que le modèle de chargeur ProMar1 DS est branché correctement comme illustré sur les schémas d'installation.
- Après avoir accompli l'étape B ci-dessus, brancher le chargeur sur l'alimentation secteur et examiner l'affichage DEL. Le chargeur doit être en mode charge (le voyant de mode de charge doit être rouge). Après l'achèvement d'un cycle complet de charge de 10 à 12 heures ou plus pour une batterie très déchargée ou complètement à plat, la DEL verte d'entretien automatique s'allume en plus de la DEL bleue d'alimentation secteur.

Remarque : Si un voltmètre numérique est disponible, il suffit de l'utiliser et d'effectuer des mesures de tension sur chaque batterie 12 V au lieu d'attendre la fin d'un cycle de chargement complet. S'il indique que la tension continue d'augmenter alors que la DEL rouge d'état de chargement est allumée, cela signifie que le chargeur est correctement branché et qu'il charge efficacement.

Garantie de chargeur de batterie ProMar1 DS

Nous sommes résolus à obtenir la satisfaction de la clientèle et votre fidélité nous est précieuse. Si, à un moment quelconque de la période de garantie, vous rencontrez des problèmes avec votre nouveau chargeur nautique embarqué ProMar1 DS, il suffit de nous appeler au 1 800 824-0524 entre 8h30 et 17h du lundi au vendredi, ou par courriel à l'adresse info@promariner.com pour obtenir un support technique.

LA CARTE DE GARANTIE PEUT ÊTRE ENREGISTRÉE SUR LE SITE WWW.PROMARINER.COM ou la carte de garantie incluse dans le présent manuel peut être remplie et retournée à ProMariner par courrier.

CHARGEUR DE BATTERIE NAUTIQUE EMBARQUÉ PROMARINER PROMAR1 DS GARANTIE LIMITÉE D'USINE DE TROIS ANS

Chaque modèle ProMar1 DS est garanti à l'acheteur d'origine pour une utilisation normale pendant 3 ans à partir de la date d'achat contre les défauts de matériaux et de fabrication. ProMariner réparera ou remplacera gratuitement à sa seule discrétion tout défaut de matériaux ou de fabrication.

Les conditions suivantes s'appliquent :

- La période de garantie est calculée depuis la date de fabrication si l'appareil n'est pas enregistré dans les deux semaines suivant la vente.
- La garantie est annulée en cas de tentatives de réparation non autorisées.
- Les dommages dus à l'action de l'eau à grande profondeur ne sont pas couverts par la garantie.
- Les frais de retour de l'appareil au centre de service de l'usine ProMariner énumérés ci-dessous incombent au client.
- Les réparations cosmétiques peuvent être effectuées à la demande et aux frais du propriétaire.

L'achat, ou autre acceptation du produit, sont soumis à la condition et à l'entente que ProMariner NE PEUT ÊTRE TENU POUR RESPONSABLE DE DOMMAGES CONSÉCUTIFS OU ACCESSOIRES D'AUCUNE SORTIE. (Certaines provinces interdisent l'exclusion ou la limitation des dommages accessoires ou consécutifs, de sorte que les exclusions ou les limitations susmentionnées peuvent ne pas s'appliquer à votre cas.) Cette garantie remplace toute autre obligation ou responsabilité de la part de ProMariner. ProMariner n'assume ni n'autorise quiconque à endosser une quelconque obligation ou responsabilité en connexion avec la vente de ce produit.

Pour enregistrer en ligne une réclamation sous garantie, se rendre sur le site www.promariner.com, cliquer sur l'onglet « Ressources » et suivre les instructions en veillant à identifier le produit et le problème. En cas d'impossibilité d'utiliser notre formulaire d'enregistrement en ligne de la garantie, ne pas hésiter à appeler le centre de service de l'usine ProMariner au numéro sans frais indiqué ci-dessous. ProMariner mettra tout en œuvre pour réparer ou remplacer le produit s'il est avéré défectueux selon les termes de la garantie, cela dans les 30 jours qui suivent le retour du produit à l'entreprise. ProMariner renverra le produit réparé ou remplacé à l'acheteur. Cette garantie vous confère des droits légaux particuliers et vous pourriez aussi avoir d'autres droits légaux qui pourraient varier selon l'état ou la province où vous habitez. Cette garantie remplace toute autre garantie explicite ou implicite.

ProMariner
Factory Service Center & Technical Support
15 Dartmouth Drive, STE 101
Auburn, NH 03032, États-Unis

SANS FRAIS AUX ÉTATS-UNIS : 1-800-824-0524
Tél. : 1-603-433-4440 / Télécopieur : 1-603-433-4442
Visitez ProMariner en ligne sur le site www.promariner.com