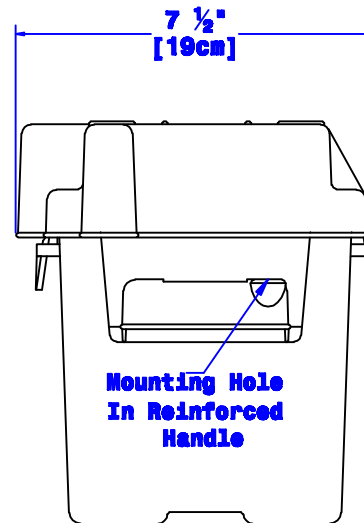
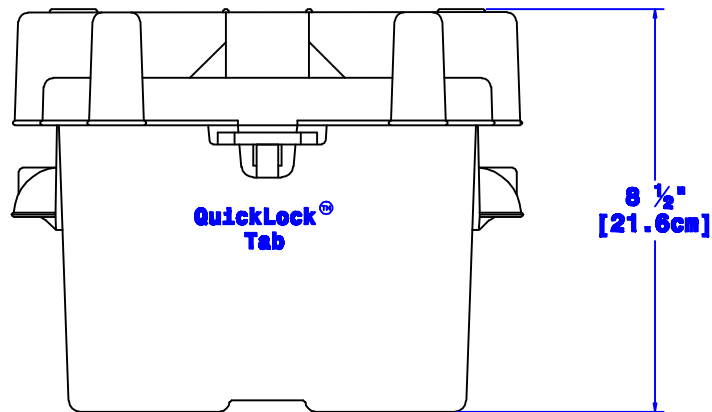


FEATURES:
ASYMETRICAL COVER
DESIGNED TO SHED WATER
LEAK PROOF BOX WITH HANDLES
MOLDED IN SAFETY WARNINGS

Inside Dimensions:
5 1/4" x 8" x 7 15/16"
[13.3cm x 20.3cm x 20.1cm]



Property of QUICKCABLE		TITLE BATTERY BOX U1	
3700 Quick Drive Frankenville, WI 53126 U.S.A. www.quickcable.com		PART # 120170	
Material & Treatment BLACK MOLDED POLYPROPYLENE		Drawing # 120170-Info	REV A
		Sheet 1 of 1	

				Drawn By Bill S	Date 8-04-09	Checked By Mike E	Scale None
A	8-04-09	1995	BS	Redesigned Battery Box			
Rev	Date	ECN#	By	Description			

Tolerances, unless otherwise noted
Dimensions are Reference Only