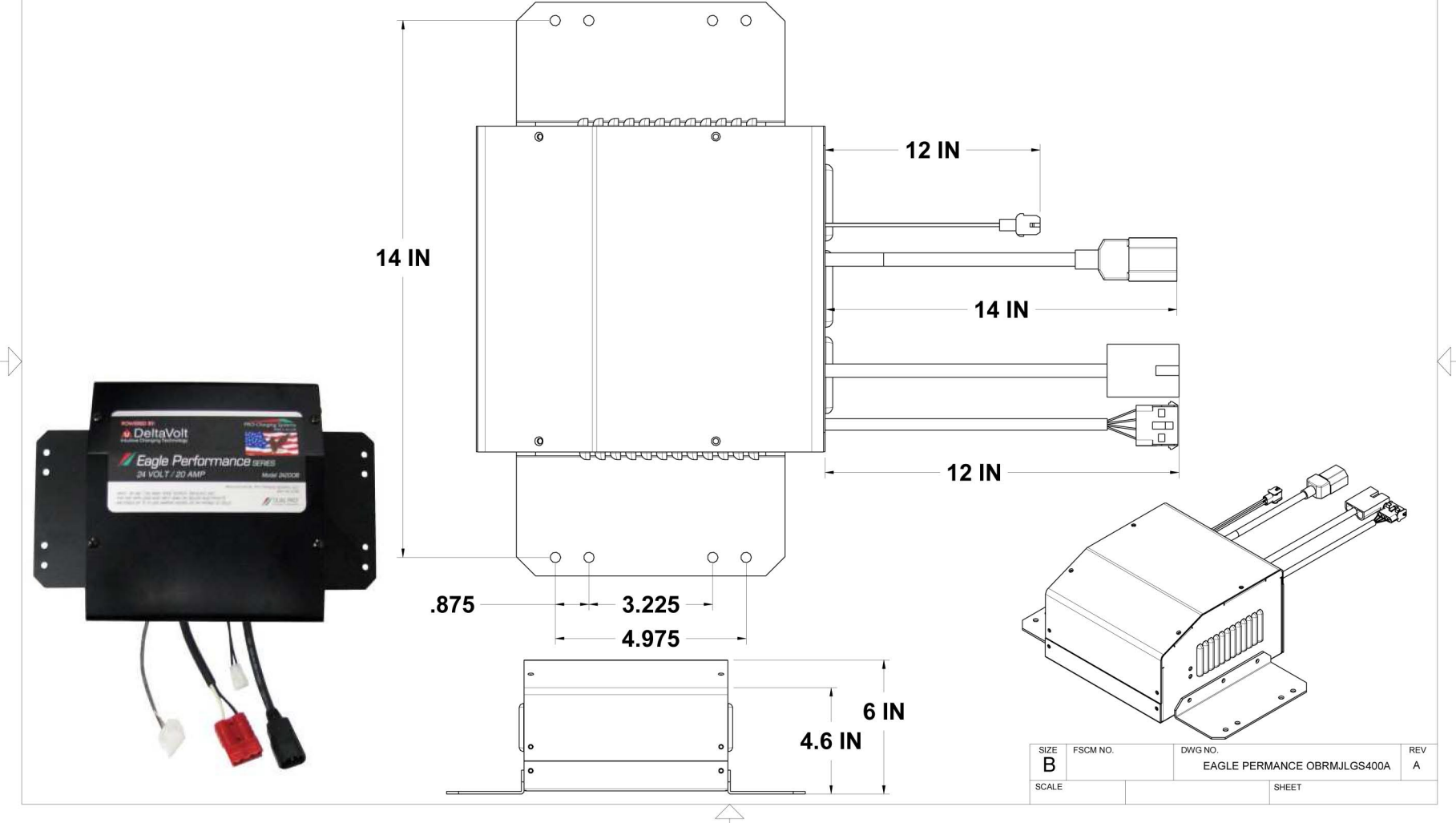


i4818OBRMJLGS400A

JLG E SERIES

REVISIONS				
ZONE	REV	DESCRIPTION	DATE	APPROVED
	A	REFERENCE ONLY	01/19/11	



SIZE B	FSCM NO.	DWG NO. EAGLE PERFORMANCE OBRMJLGS400A	REV A
SCALE		SHEET	