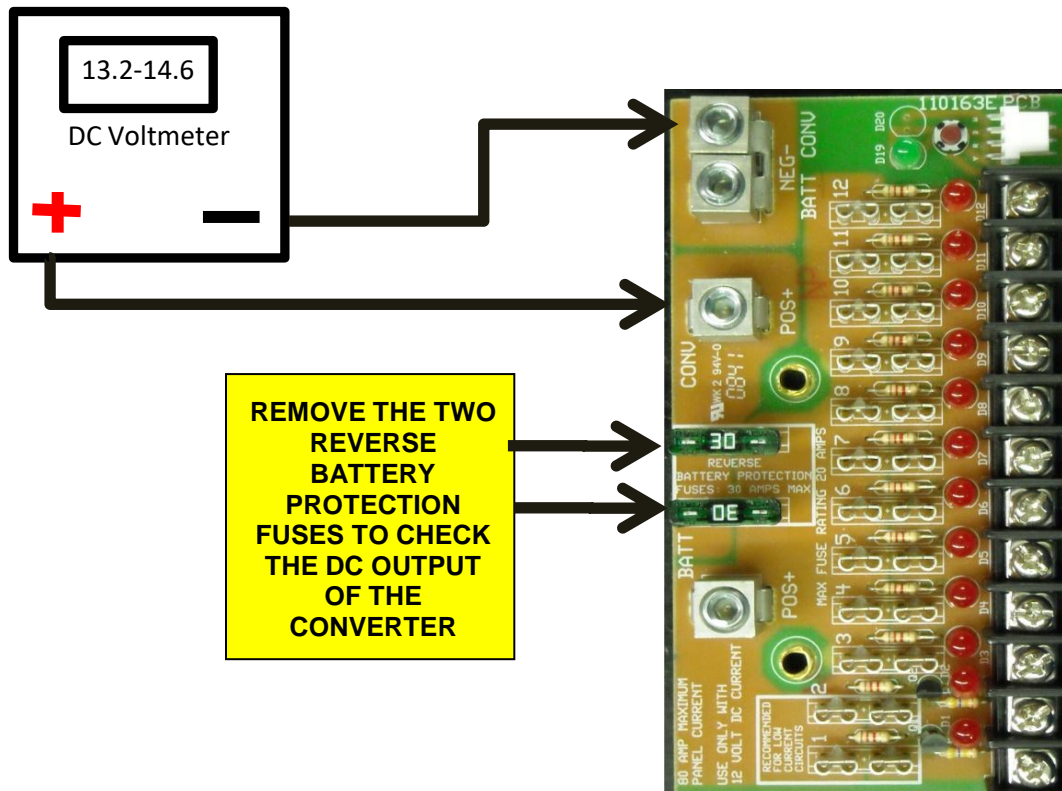


# PD4600 Checking the Converter Output

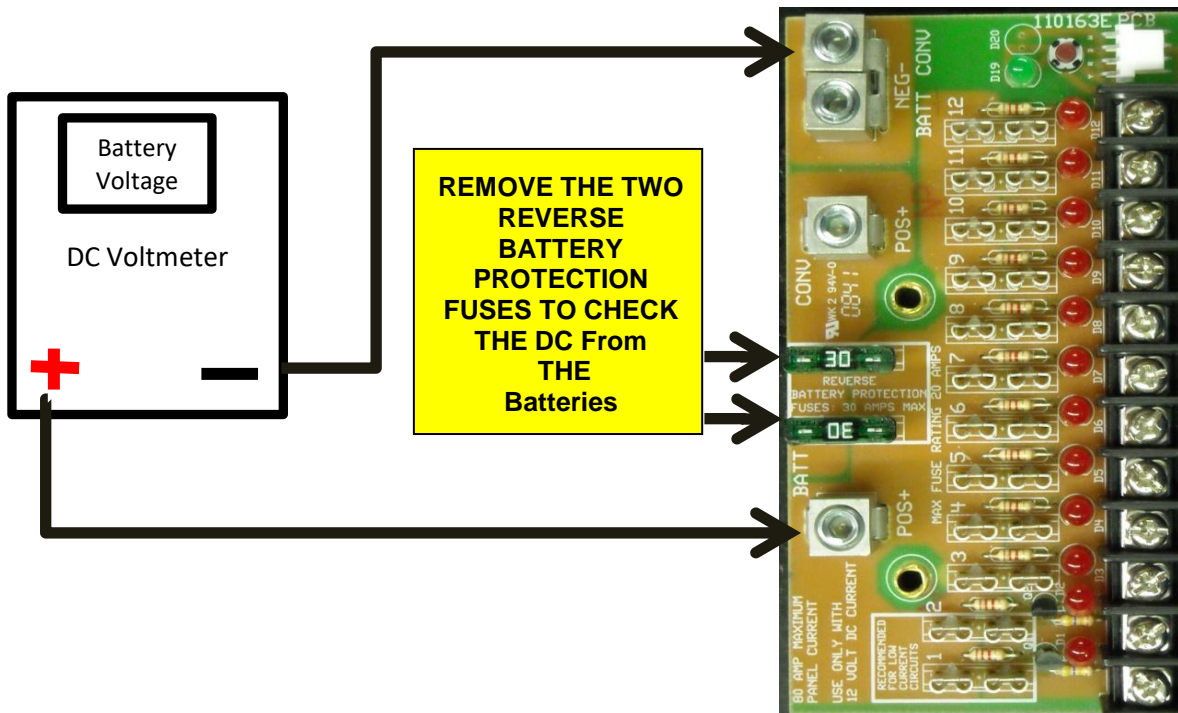
**Note: Trouble shooting this unit involves exposure to live 120 VAC and should only be attempted by a qualified technician.**



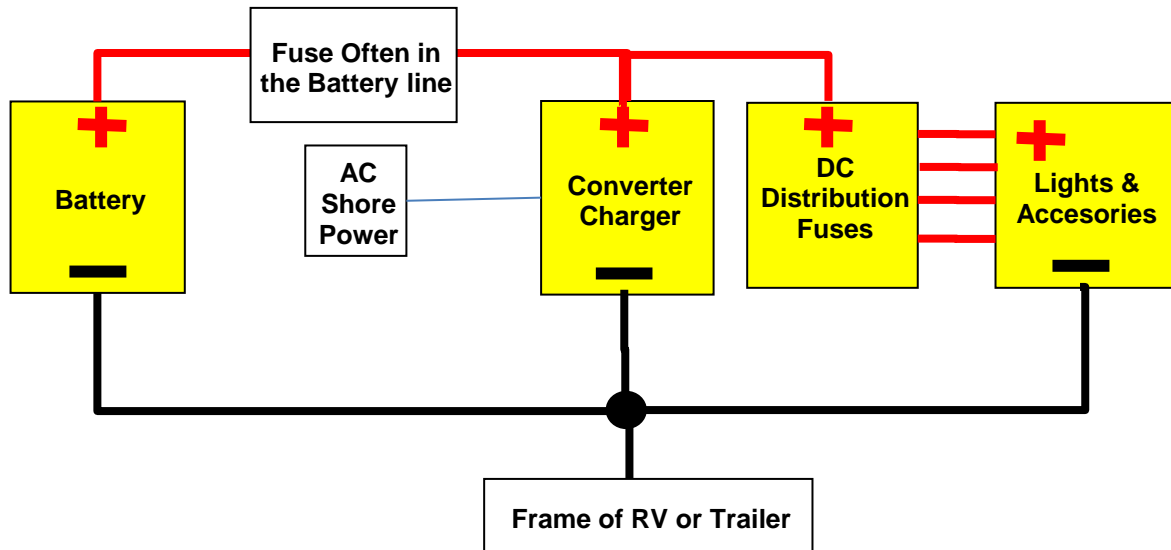
1. Turn off the AC power to the converter at the AC breaker .
2. Remove the 2 30 amp DC fuses.
3. Turn the AC power back on.
4. Using a DC Voltmeter Check the Converter output as above.  
14.5-14.6 for Lithium, 13.2-14.4 for Lead Acid.

# PD4600 Checking the Battery Connection

Using a DC Voltmeter the battery voltage should read on the posts in the diagram below.



## Understanding DC Power Systems



The 4600 converts the AC into 13.5 volts DC to Charge the Battery and supply power to the lights and accesories.

The + DC supplies power through the fuses to lights and accesories. The circuit is completed through The - return wires which must tie in to the Battery, Converter , and the lights. The Frame of the RV is often the - side return path.

## Gel Jumper

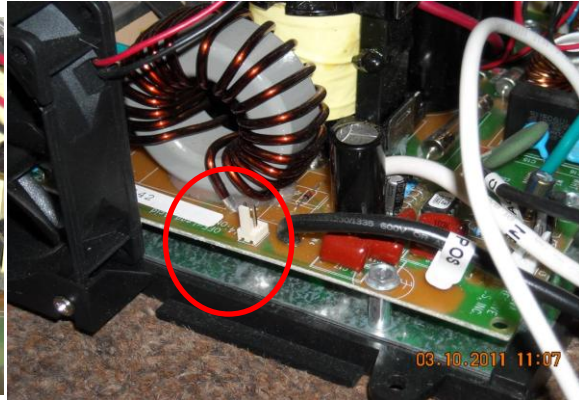
To set the charger to work with Gel batteries, add a jumper to the pins on the white jumper chair.

This is a standard .100 spacing jumper available from us or computer stores.

\*The Lithium Wizard jumper should be set to WIZ.



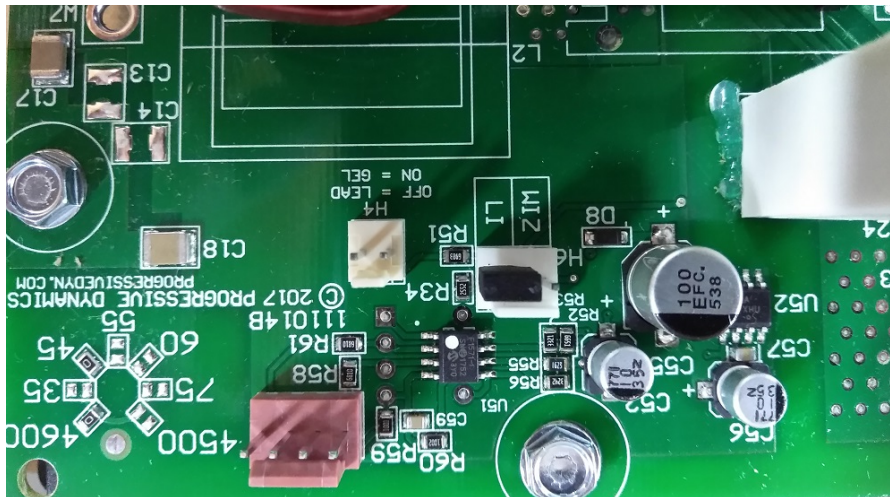
Front View



Side View

## Lithium WIZ (Lead Acid) Jumper

This is a 3 pin header. Jumped Center to LI = Lithium  
Jumped Center to WIZ = Lead Acid



Left Front View

## Operation:

With the Jumper in the WIZ position the charger will operate as described in the [wizard description](#) for Lead Acid Batteries.

With the Jumper in the LI position the charger will maintain a LiFePO<sub>4</sub> Battery with a requirement of 14.6 volts. When the battery is fully charged the voltage will remain at the 14.6 level.

