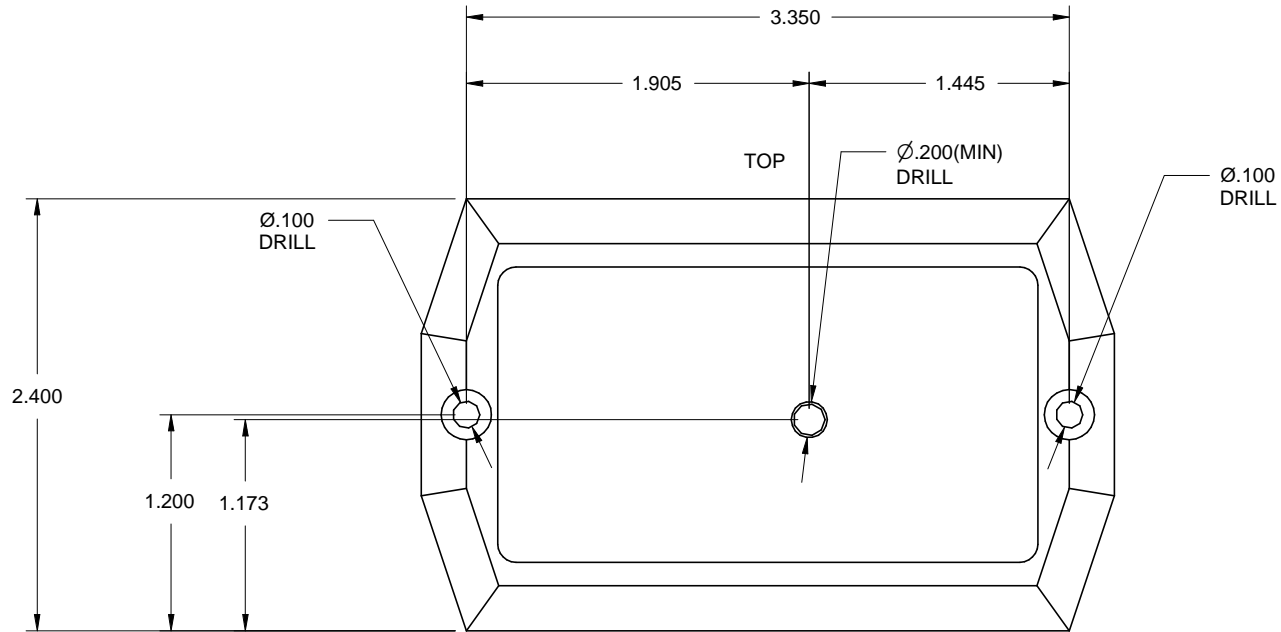


REVISIONS

ZONE	REV	DESCRIPTION	DATE	APPROVED
	A	PRELIMINARY	11/11/10	



SCALE: 1:1

SIZE <b>A</b>	FSCM NO.	DWG NO. BATT_FUEL_GAGE_DRILL_TEMPLATE	REV A
SCALE 1:1	SHEET		