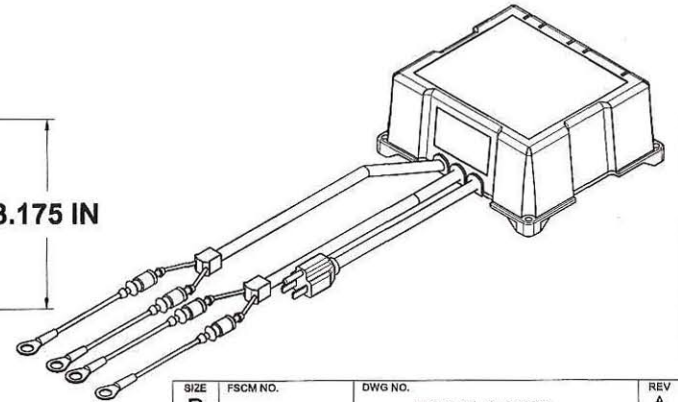
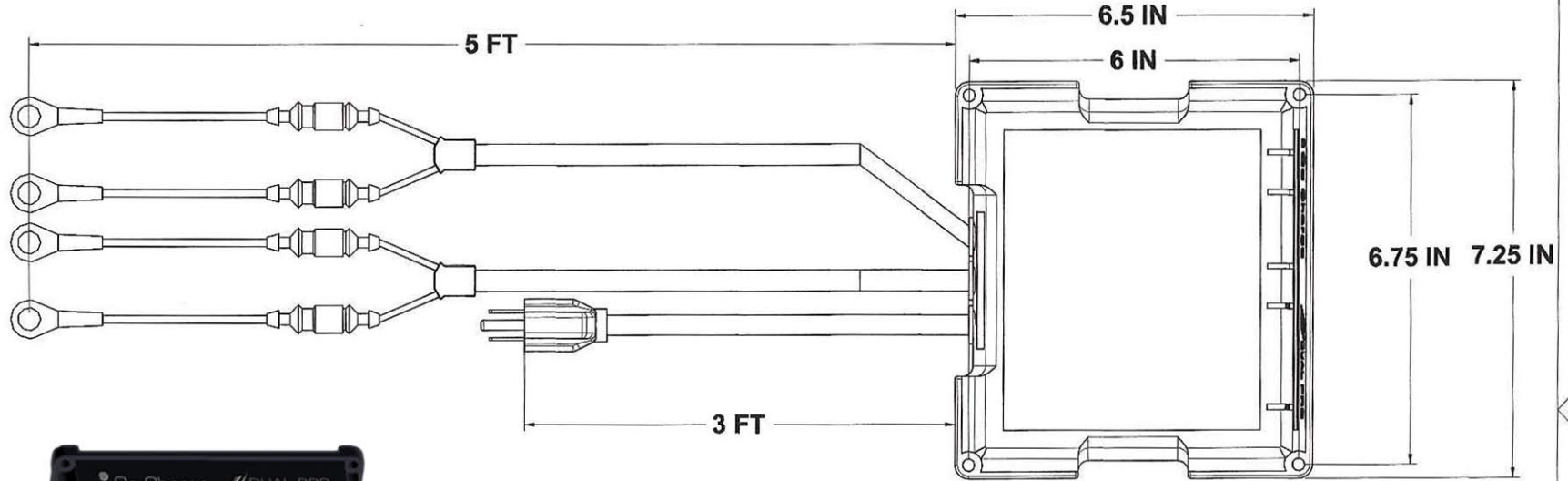


INDUSTRIAL SERIES IS2 VARIOUS GENIE AND JLG UNITS

ZONE		REV	DESCRIPTION	DATE	APPROVED
		A	REFERENCE ONLY	01/20/11	



SIZE B	FSCM NO.	DWG NO.	REV A
SCALE	INDUSTRIAL SERIES IS2		SHEET